

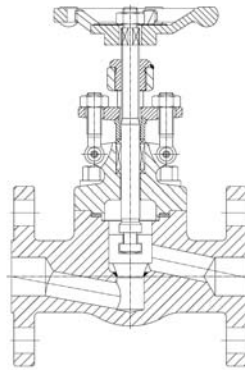
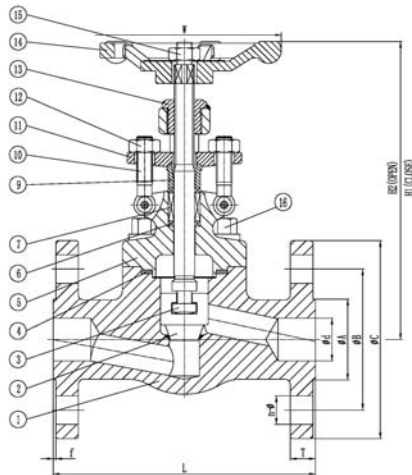
PN40**Design acc. :****AD 2000 A4****2014/34/EU****API 602****Flanged ends : DIN EN1092-1 .****Face to face : EN 558-1 .****Test and inspection : DIN EN12266 .****Body : C22.8 / 1.4401****TA-Luft packing****TA-Luft gasket**

FIG.	PN	Material	Range
145.105	40	C22.8	DN15-DN50
235.105	40	1.4401	DN15-DN50



Design acc. :
AD 2000 A4
ATEX 2014/34/EU
API 602 .
Flanged ends : DIN EN1092-1 .
Face to face : EN 558-1 .
Test and inspection : DIN EN12266 .
TA-Luft packing
TA-Luft gasket

Material List

NO.	Part	Material	
		FIG.: 145.105	FIG.: 235.105
1	Body	C22.8	1.4401
2	Disc	1.4021	1.4401+STL
3	Stem	1.4006	1.4401
4	Bonnet gasket	Spirl wounded graphite+1.4301	Spirl wounded graphite+1.4401
5	Bonnet	C22.8	1.4401
6	Packing	Flexible graphite +s.s.wire	Flexible graphite +s.s.wire
7	Packing	Flexible graphite	Flexible graphite
9	Packing bushing	1.4021	1.4401
10	Eyebolt	G	A4-70/A2-70
11	Gland flange	C22.8	1.4401
12	Nut	YK	A4-70/A2-70
13	Stem nut	1.4006	1.4006
14	Handwheel	A197	A197
15	Lock nut	YK	A4-70/A2-70
16	Bolt	G	A4-70/A2-70

Dimension List

PN	DN	L	H1	H2	d	W	A	B	C	T	f	n-Φ
40	15	130	148	158	15	100	45	65	95	16	2	4-14
	20	150	148	158	20	100	58	75	105	18	2	4-14
	25	160	176	192	25	125	68	85	115	18	2	4-14
	32	180	209	227	32	160	78	100	140	18	2	4-18
	40	200	221	241	40	160	88	110	150	18	3	4-18
	50	230	255	279	50	180	102	125	165	20	3	4-18