

Design acc. : EN 1984.
Face to face : EN558-1 Ser.15/Ser.26
BW ends : DIN 3239.
Actuator conn. flange: ISO 5210
Test acc. : EN12266.
TA-Luft Packing
TA-Luft Gasket
Temperature range :
 -29°C~ +425°C(1.0619N)
 -196°C~ +600°C(1.4408)
Body : 1.0619N /1.4408
Wall thickness for PN16 is the same
as for PN25 valves

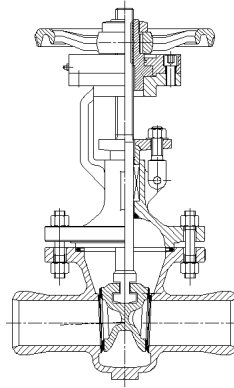


FIG : 032 - BW

FIG : 032 - BW

Design acc. : EN 1984.
Face to face : EN558-1 Ser.15/Ser.26
BW ends : DIN 3239.
Actuator conn. flange: ISO 5210
Test acc. : EN12266.
TA-Luft Packing
TA-Luft Gasket
Temperature range :
 -29°C~ +425°C(1.0619N)
 -196°C~ +600°C(1.4408)
Body : 1.0619N /1.4408
Wall thickness for PN16 is the same
as for PN25 valves

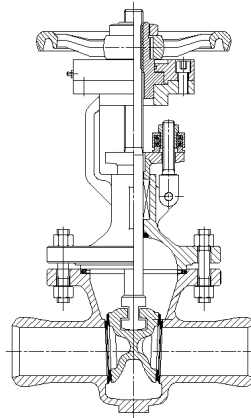
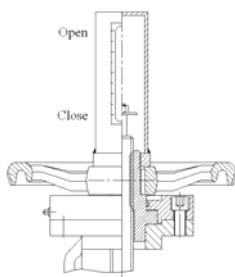


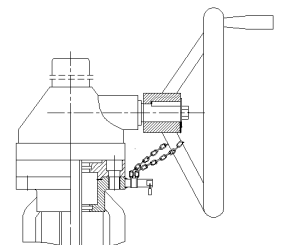
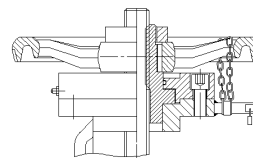
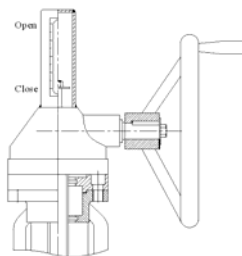
FIG : 032 - BW + spring load system

FIG : 032 - BW + spring load system

Available



Position indicator



Locking device

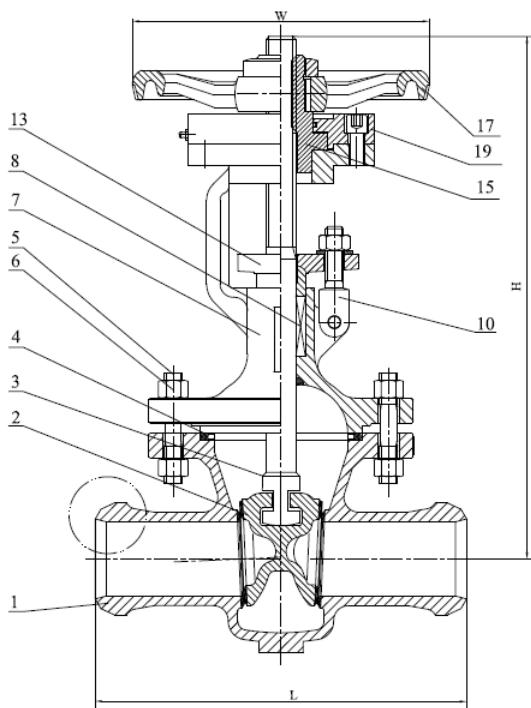


FIG.	Pressure	Material	Range
133.032-BW	PN16	1.0619N	DN50-DN125
134.032-BW	PN25	1.0619N	DN50-DN125
153.032-BW	PN16	1.4408	DN50-DN125
154.032-BW	PN25	1.4408	DN50-DN125

Design acc. : EN 1984.

Face to face : EN558-1 Ser.15

BW ends : DIN 3239.

Actuator conn. flange: ISO 5210

Test acc. : EN12266.

TA-Luft Packing

TA-Luft Gasket

Temperature range :

-29°C ~ +425°C (1.0619N)

-196°C ~ +600°C (1.4408)

Material list

NO.	Part	Material	
		FIG. 153.032 - BW / 154.032 - BW	FIG. 133.032 -BW /134.032 - BW
1	Body	1.4408 / 1.4408 + STL (>DN100)	1.0619N+13Cr
2	Wedge	1.4408	1.0619N+13Cr / 1.4006(≤DN100)
3	Stem	1.4401	1.4021
4	Body seal	TA-Luft Gasket	TA-Luft Gasket
5	Bolts	A4-70	1.7225(GC)
6	Nut	A4-70	1.1181(YK)
7	Bonnet	1.4408	1.0619N
8	Packing	TA-Luft Packing	TA-Luft Packing
10	Fork bolt	A4-70	1.7225(GC)
13	Gland flange	1.4408	1.0619N
15	Stem nut	0.7040	0.7040
17	Handwheel	0.7040	0.7040
19	ISO-Flange	1.4401	C22.5

Dimension list

PN	DN	L	d1max	d2	d3	d4	H	W	Stem dimension	ISO-flange	Torque (N.m)	Weight(KG)	FTF
16	65	270	83	78	70	65	425	250	Tr24×5LH	F10	40	32.9	Ser.15
	80	280	96	91	82	80	420	250	Tr24×5LH	F10	45	34.8	
	100	300	121	116	106	100	480	250	Tr26×5LH	F10	50	49.9	
	125	325	147	142	131	125	590	350	Tr26×5LH	F10	80	69.9	
25	65	270	83	78	70	65	425	250	Tr24×5LH	F10	40	32.9	
	80	280	96	91	82	80	420	250	Tr24×5LH	F10	45	34.8	
	100	300	121	116	106	100	500	250	Tr26×5LH	F10	50	50	
	125	325	147	142	131	125	590	350	Tr26×5LH	F10	80	69.9	
16/25	50	250	67	62	54	50	340	200	Tr20×4LH	F10	35	23.1	

Note: The torque in the table does not contain safety factor.

Edit: FengChunyan
Suzhou Fleu valve Co.Ltd
No.767 Huagang Road

Checking: WangHuanyu
Tel : 0086 512 63430669
Fax : 0086 512 63409789

Approved: ZWS

Date: 15.Jun.2019

E-mail : szsales@fleu-valve.com
http : //www.fleu-valve.com

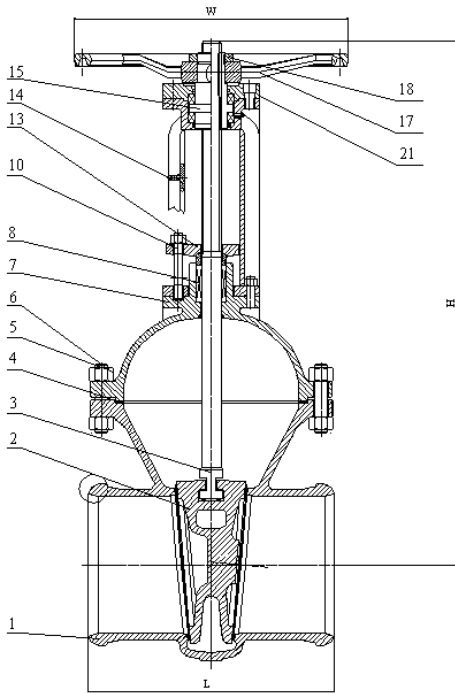


FIG.	Pressure	Material	Range
133.032-BW	PN16	1.0619N	DN150-DN500
153.032-BW	PN16	1.4408	DN150-DN500

Design acc. : EN 1984.

Face to face : EN558-1 Ser.15

BW ends : DIN 3239.

Actuator conn. flange: ISO 5210

Test acc. : EN12266.

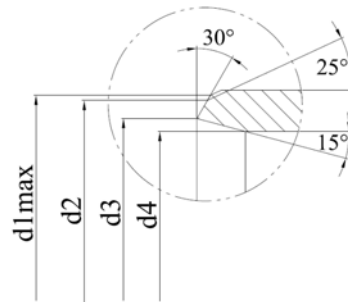
TA-Luft Packing

TA-Luft Gasket

Temperature range :

-29°C~ +425°C(1.0619N)

-196°C~ +600°C(1.4408)



Material list

NO.	Part	Material	
		FIG. 153.032 - BW	FIG. 133.032 - BW
1	Body	1.4408 + STL	1.0619N+13Cr
2	Wedge	1.4408	1.0619N+13Cr / 1.4006(≤DN100)
3	Stem	1.4401	1.4021
4	Body seal	TA-Luft Gasket	TA-Luft Gasket
5	Bolts	A4-70	1.7225(GC)
6	Nut	A4-70	1.1181(YK)
7	Bonnet	1.4408	1.0619N
8	Packing	TA-Luft Packing	TA-Luft Packing
10	Bolt	A4-70	1.7225(GC)
13	Gland flange	1.4408	1.0619N
14	Yoke	1.4408	1.0619N
15	Stem nut	0.7040	0.7040
17	Handwheel	0.7040	0.7040
18	Lock nut	1.4021	1.1181
21	ISO-Flange	1.4401	C22.5

Dimension list

PN	DN	L	d1max	d2	d3	d4	H	W	Stem dimension	ISO-flange	Torque (N.m)	Weight(KG)	FTF
16	150	350	176	171	159	150	670	400	Tr28×5LH	F10	90	97.5	Ser.15
	200	400	228	222	207	200	830	400	Tr32×6LH	F14	150	138.6	
	250	450	282	276	260	250	955	450	Tr36×6LH	F14	200	242	
	300	500	331	325	309	300	1145	500	Tr40×7LH	F14	310	381.2	
	350	550	365	359	341	350	1210	500	Tr40×7LH	F16	400	396.8	
	400	600	417	411	387	400	1390	600	Tr44×8LH	F16	450	592	
	500	700	518	612	482	500	1730	700	Tr50×8LH	F25	700	939	

Note: The torque in the table does not contain safety factor.

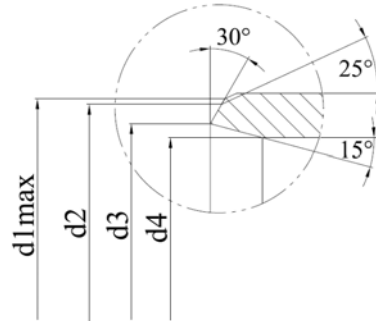
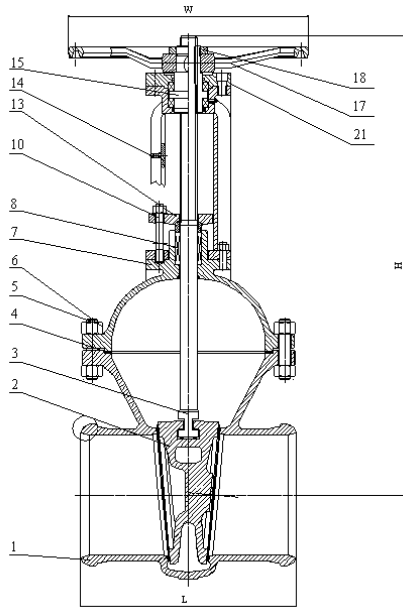


FIG.	Pressure	Material	Range
134.032-BW	PN25	1.0619N	DN150-DN500
154.032-BW	PN25	1.4408	DN150-DN500

Design acc. : EN 1984.

Face to face : EN558-1 Ser.15

BW ends : DIN 3239.

Actuator conn. flange: ISO 5210

Test acc. : EN12266.

TA-Luft Packing

TA-Luft Gasket

Temperature range :

-29°C~ +425°C(1.0619N)

-196°C~ +600°C(1.4408)

Material list

NO.	Part	Material	
		FIG. 154.032 - BW	FIG. 134.032 - BW
1	Body	1.4408 + STL	1.0619N+13Cr
2	Wedge	1.4408	1.0619N+13Cr / 1.4006(≤DN100)
3	Stem	1.4401	1.4021
4	Body seal	TA-Luft Gasket	TA-Luft Gasket
5	Bolts	A4-70	1.7225(GC)
6	Nut	A4-70	1.1181(YK)
7	Bonnet	1.4408	1.0619N
8	Packing	TA-Luft Packing	TA-Luft Packing
10	Bolt	A4-70	1.7225(GC)
13	Gland flange	1.4408	1.0619N
14	Yoke	1.4408	1.0619N
15	Stem nut	0.7040	0.7040
17	Handwheel	0.7040	0.7040
18	Lock nut	1.4021	1.1181
21	ISO-Flange	1.4401	C22.5

Dimension list

PN	DN	L	d1max	d2	d3	d4	H	W	Stem dimension	ISO-flange	Torque (N.m)	Weight(KG)	FTF
25	150	350	176	171	159	150	670	400	Tr28×5LH	F14	90	100	Ser.15
	200	400	228	222	207	200	830	400	Tr32×6LH	F14	160	138.6	
	250	450	282	276	260	250	955	450	Tr36×6LH	F14	220	242	
	300	500	331	325	309	300	1145	500	Tr40×7LH	F14	330	381.2	
	350	550	365	359	341	350	1210	500	Tr40×7LH	F16	420	396.8	
	400	600	417	411	387	400	1390	600	Tr44×8LH	F16	500	593	
	500	700	518	612	482	500	1730	700	Tr50×8LH	F25	750	945	

Note: The torque in the table does not contain safety factor.

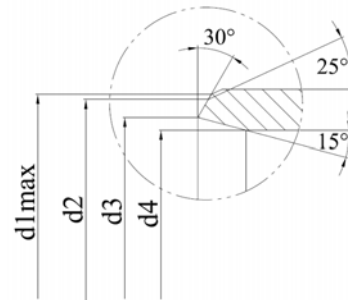
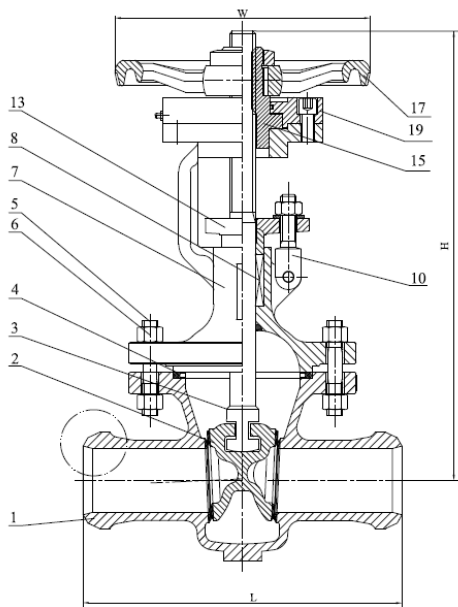


FIG.	Pressure	Material	Range
135.032-BW	PN40	1.0619N	DN50-DN125
155.032-BW	PN40	1.4408	DN50-DN125

Design acc. : EN 1984.

Face to face : EN558-1 Ser.26

BW ends : DIN 3239.

Actuator conn. flange: ISO 5210

Test acc. : EN12266.

TA-Luft Packing

TA-Luft Gasket

Temperature range :

-29°C~ +425°C(1.0619N)

-196°C~ +600°C(1.4408)

Material list

NO.	Part	Material	
		FIG. 155.032 - BW	FIG. 135.032 - BW
1	Body	1.4408 / 1.4408 + STL (>DN100)	1.0619N+13Cr
2	Wedge	1.4408	1.0619N+13Cr / 1.4006(≤DN100)
3	Stem	1.4401	1.4021
4	Body seal	TA-Luft Gasket	TA-Luft Gasket
5	Bolts	A4-70	1.7225(GC)
6	Nut	A4-70	1.1181(YK)
7	Bonnet	1.4408	1.0619N
8	Packing	TA-Luft Packing	TA-Luft Packing
10	Fork bolt	A4-70	1.7225(GC)
13	Gland flange	1.4408	1.0619N
15	Stem nut	0.7040	0.7040
17	Handwheel	0.7040	0.7040
19	ISO-Flange	1.4401	C22.5

Dimension list

PN	DN	L	d1max	d2	d3	d4	H	W	Stem dimension	ISO-flange	Torque (N.m)	Weight(KG)	FTF
40	50	250	67	62	54	50	340	200	Tr20×4LH	F10	35	23.1	Ser.26
	65	290	83	78	70	65	415	39.3	Tr24×5LH	F10	40	34.1	
	80	310	96	91	82	80	420	250	Tr24×5LH	F10	50	36.6	
	100	350	121	116	106	100	485	250	Tr26×5LH	F10	55	55	
	125	400	147	142	131	125	590	350	Tr26×5LH	F14	90	76	

Note: The torque in the table does not contain safety factor.

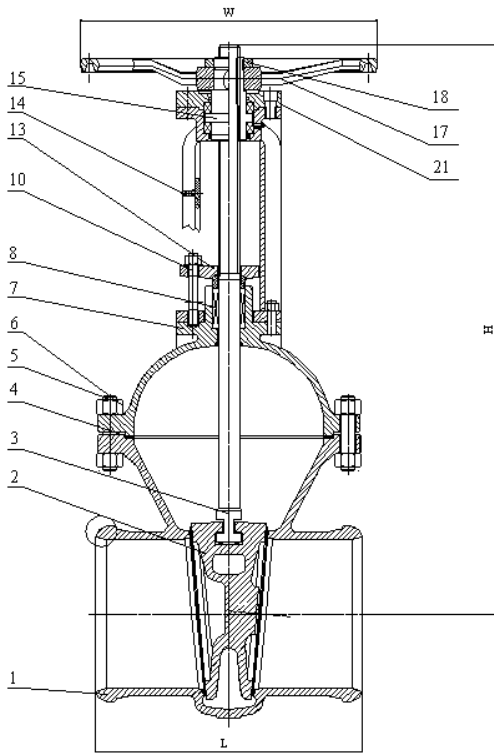
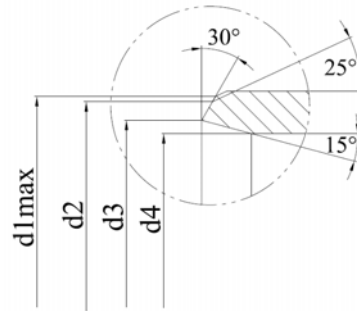


FIG.	Pressure	Material	Range
135.032-BW	PN40	1.0619N	DN150-DN500
155.032-BW	PN40	1.4408	DN150-DN500



Design acc. : EN 1984.
Face to face : EN558-1 Ser.26
BW ends : DIN 3239.
Actuator conn. flange: ISO 5210
Test acc. : EN12266.
TA-Luft Packing
TA-Luft Gasket
Temperature range :
-29°C~ +425°C(1.0619N)
-196°C~ +600°C(1.4408)

Material list

NO.	Part	Material	
		FIG. 155.032 - BW	FIG. 135.032 - BW
1	Body	1.4408 + STL	1.0619N+13Cr
2	Wedge	1.4408	1.0619N+13Cr / 1.4006(≤DN100)
3	Stem	1.4401	1.4021
4	Body seal	TA-Luft Gasket	TA-Luft Gasket
5	Bolts	A4-70	1.7225(GC)
6	Nut	A4-70	1.1181(YK)
7	Bonnet	1.4408	1.0619N
8	Packing	TA-Luft Packing	TA-Luft Packing
10	Bolt	A4-70	1.7225(GC)
13	Gland flange	1.4408	1.0619N
14	Yoke	1.4408	1.0619N
15	Stem nut	0.7040	0.7040
17	Handwheel	0.7040	0.7040
18	Lock nut	1.4021	1.1181
21	ISO-Flange	1.4401	C22.5

Dimension list

PN	DN	L	d1max	d2	d3	d4	H	W	Stem dimension	ISO-flange	Torque	Weight(KG)	FTF
40	150	450	176	171	159	150	670	400	Tr28×5LH	F14	100	103.6	Ser.26
	200	550	228	222	207	200	830	400	Tr32×6LH	F14	170	171	
	250	650	282	276	260	250	955	450	Tr36×6LH	F14	230	299	
	300	750	331	325	309	300	1145	500	Tr44×7LH	F14	350	445	

Note: The torque in the table does not contain safety factor.

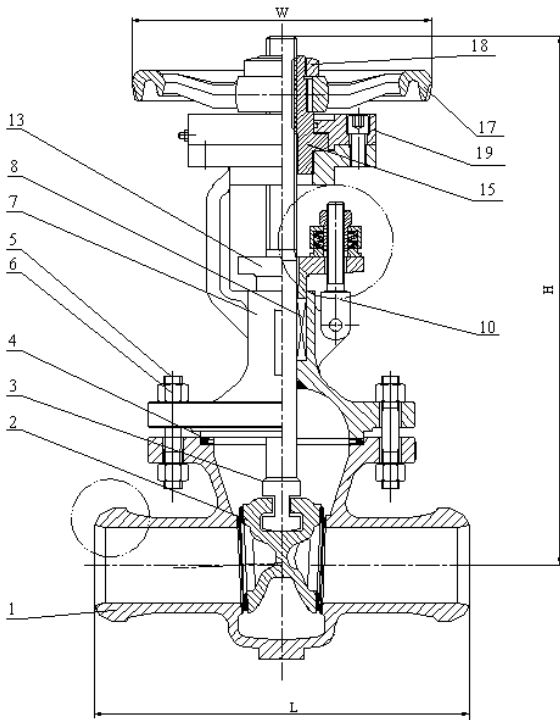
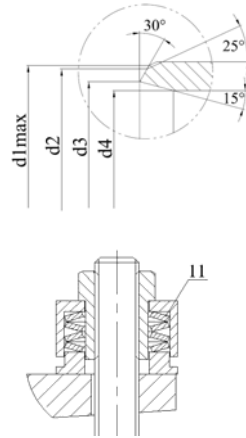


FIG.	Pressure	Material	Range
133.032 -BW + spring load system	PN16	1.0619N	DN50-DN125
134.032 -BW + spring load system	PN25	1.0619N	DN50-DN125
153.032 - BW + spring load system	PN16	1.4408	DN50-DN125
154.032 - BW + spring load system	PN25	1.4408	DN50-DN125



spring load system

Design acc. : EN 1984.
Face to face : EN558-1 Ser.15
BW ends : DIN 3239.
Actuator conn. flange: ISO 5210
Test acc. : EN12266.
TA-Luft Packing
TA-Luft Gasket
Temperature range :
-29°C~ +425°C(1.0619N)
-196°C~ +600°C(1.4408)

Material list

NO.	Part	Material	
		FIG. 153.032 - BW +spring load system / 154.032 - BW + spring load system	FIG. 133.032 - BW + spring load system/ 134.032 - BW + spring load system
1	Body	1.4408 / 1.4408 + STL (>DN100)	1.0619N+13Cr
2	Wedge	1.4408	1.0619N+13Cr / 1.4006(≤DN100)
3	Stem	1.4401	1.4021
4	Body seal	TA-Luft Gasket	TA-Luft Gasket
5	Bolts	A4-70	1.7225(GC)
6	Nut	A4-70	1.1181(YK)
7	Bonnet	1.4408	1.0619N
8	Packing	TA-Luft Packing	TA-Luft Packing
10	Fork bolt	A4-70	1.7225(GC)
11	Belleville spring	51CrV4	51CrV4
13	Gland flange	1.4408	1.0619N
15	Stem nut	0.7040	0.7040
17	Handwheel	0.7040	0.7040
18	Lock nut	1.4021	1.1181
19	ISO-Flange	1.4401	C22.5

Dimension list

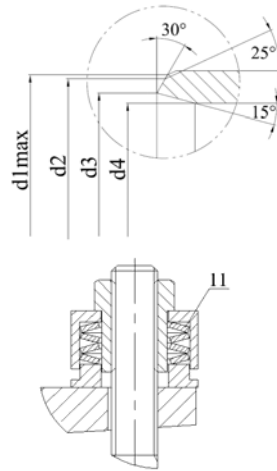
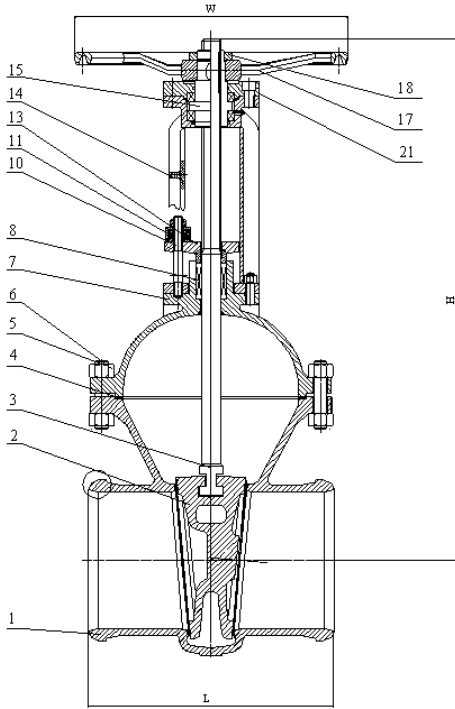
PN	DN	L	d1m	d2	d3	d4	H	W	Stem dimension	ISO-flange	Torque (N.m)	Weight(KG)	FTF
16	65	270	83	78	70	65	425	250	Tr24x5LH	F10	40	32.9	Ser.15
	80	280	96	91	82	80	420	250	Tr24x5LH	F10	45	34.8	
	100	300	121	116	106	10	480	250	Tr26x5LH	F10	50	49.9	
	125	325	147	142	131	12	590	350	Tr26x5LH	F10	80	69.9	
25	65	270	83	78	70	65	425	250	Tr24x5LH	F10	40	32.9	
	80	280	96	91	82	80	420	250	Tr24x5LH	F10	45	34.8	
	100	300	121	116	106	10	500	250	Tr26x5LH	F10	50	50	
	125	325	147	142	131	12	590	350	Tr26x5LH	F10	80	69.9	
16/25	50	250	67	62	54	50	340	200	Tr20x4LH	F10	35	23.1	

Note: The torque in the table does not contain safety factor.

Edit: FengChunyan
 Suzhou Fleu valve Co.Ltd
 No.767 Huagang Road

Checking: WangHuanyu
 Tel : 0086 512 63430669
 Fax : 0086 512 63409789

Approved: ZWS
 Date: 15.Jun.2019
 E-mail : szsales@fleu-valve.com
 http : //www.fleu-valve.com



spring load system

FIG.	Pressure	Material	Range
133.032 - BW + spring load system	PN16	1.0619N	DN150-DN500
153.032 - BW + spring load system	PN16	1.4408	DN150-DN500

Design acc. : EN 1984.
Face to face : EN558-1 Ser.15
BW ends : DIN 3239.
Actuator conn. flange: ISO 5210
Test acc. : EN12266.
TA-Luft Packing
TA-Luft Gasket
Temperature range :
-29°C~ +425°C(1.0619N)
-196°C~ +600°C(1.4408)

Material list

NO.	Part	Material	
		FIG. 153.032 - BW + spring load system	FIG. 133.032 - BW + spring load system
1	Body	1.4408 + STL	1.0619N+13Cr
2	Wedge	1.4408	1.0619N+13Cr / 1.4006(≤DN100)
3	Stem	1.4401	1.4021
4	Body seal	TA-Luft Gasket	TA-Luft Gasket
5	Bolts	A4-70	1.7225(GC)
6	Nut	A4-70	1.1181(YK)
7	Bonnet	1.4408	1.0619N
8	Packing	TA-Luft Packing	TA-Luft Packing
10	Bolt	A4-70	1.7225(GC)
11	Belleville spring	51CrV4	51CrV4
13	Gland flange	1.4408	1.0619N
14	Yoke	1.4408	1.0619N
15	Stem nut	0.7040	0.7040
17	Handwheel	0.7040	0.7040
18	Lock nut	1.4021	1.1181
21	ISO-Flange	1.4401	C22.5

Dimension list

PN	DN	L	d1max	d2	d3	d4	H	W	Stem dimension	ISO-flange	Torque	Weight(KG)	FTF
16	150	350	176	171	159	150	670	400	Tr28×5LH	F10	90	97.5	Ser.15
	200	400	228	222	207	200	830	400	Tr32×6LH	F14	150	138.6	
	250	450	282	276	260	250	955	450	Tr36×6LH	F14	200	242	
	300	500	331	325	309	300	1145	500	Tr40×7LH	F14	310	381.2	
	350	550	365	359	341	350	1210	500	Tr40×7LH	F16	400	396.8	
	400	600	417	411	387	400	1390	600	Tr44×8LH	F16	450	592	
	500	700	518	612	482	500	1730	700	Tr50×8LH	F25	700	939	

Note: The torque in the table does not contain safety factor.

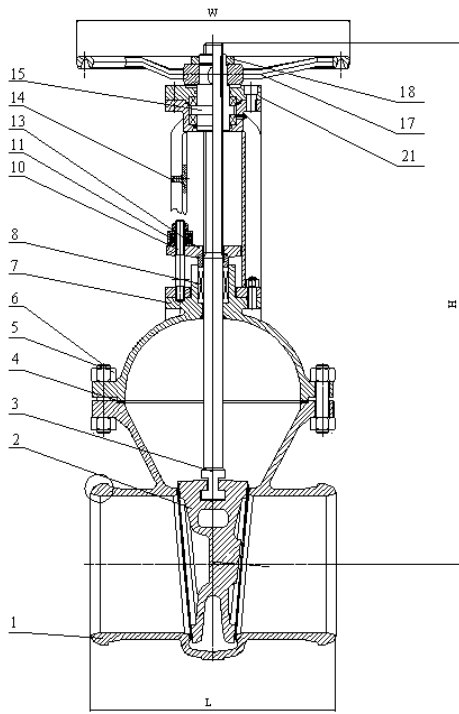
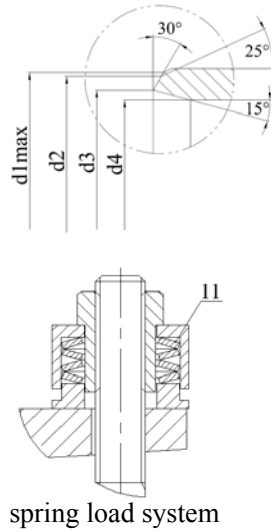


FIG.	Pressure	Material	Range
134.032 - BW + spring load system	PN25	1.0619N	DN150-DN500
154.032 - BW + spring load system	PN25	1.4408	DN150-DN500



Design acc. : EN 1984.
Face to face : EN558-1 Ser.15
BW ends : DIN 3239.
Actuator conn. flange: ISO 5210
Test acc. : EN12266.
TA-Luft Packing
TA-Luft Gasket
Temperature range :
-29°C~ +425°C(1.0619N)
-196°C~ +600°C(1.4408)

Material list

NO.	Part	Material	
		FIG. 154.032 -BW + spring load system	FIG. 134.032 - BW + spring load system
1	Body	1.4408 + STL	1.0619N+13Cr
2	Wedge	1.4408	1.0619N+13Cr / 1.4006(≤DN100)
3	Stem	1.4401	1.4021
4	Body seal	TA-Luft Gasket	TA-Luft Gasket
5	Bolts	A4-70	1.7225(GC)
6	Nut	A4-70	1.1181(YK)
7	Bonnet	1.4408	1.0619N
8	Packing	TA-Luft Packing	TA-Luft Packing
10	Bolt	A4-70	1.7225(GC)
11	Belleville spring	51CrV4	51CrV4
13	Gland flange	1.4408	1.0619N
14	Yoke	1.4408	1.0619N
15	Stem nut	0.7040	0.7040
17	Handwheel	0.7040	0.7040
18	Lock nut	1.4021	1.1181
21	ISO-Flange	1.4401	C22.5

Dimension list

PN	DN	L	d1max	d2	d3	d4	H	W	Stem dimension	ISO-flange	Torque (N.m)	Weight(KG)	FTF
25	150	350	176	171	159	150	670	400	Tr28×5LH	F14	90	100	Ser.15
	200	400	228	222	207	200	830	400	Tr32×6LH	F14	160	138.6	
	250	450	282	276	260	250	955	450	Tr36×6LH	F14	220	242	
	300	500	331	325	309	300	1145	500	Tr40×7LH	F14	330	381.2	
	350	550	365	359	341	350	1210	500	Tr40×7LH	F16	420	396.8	
	400	600	417	411	387	400	1390	600	Tr44×8LH	F16	500	593	
	500	700	518	612	482	500	1730	700	Tr50×8LH	F25	750	945	

Note: The torque in the table does not contain safety factor.

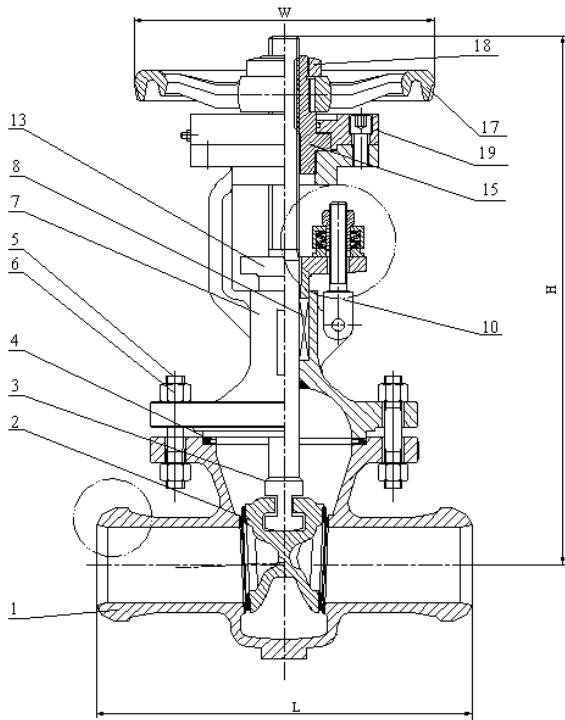
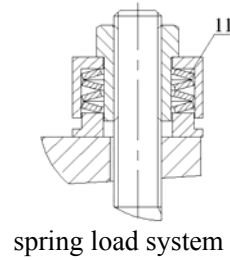
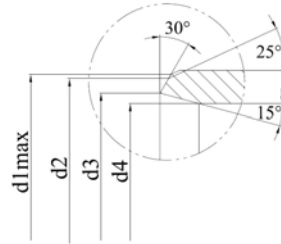


FIG.	Pressure	Material	Range
135.032 - BW + spring load system	PN40	1.0619N	DN50-DN125
155.032 - BW + spring load system	PN40	1.4408	DN50-DN125



spring load system

Design acc. : EN 1984.
Face to face : EN558-1 Ser.26
BW ends : DIN 3239.
Actuator conn. flange: ISO 5210
Test acc. : EN12266.
TA-Luft Packing
TA-Luft Gasket
Temperature range :
-29°C~ +425°C(1.0619N)
-196°C~ +600°C(1.4408)

Material list

NO.	Part	Material	
		FIG. 155.032 - BW + spring load system	FIG. 135.032 - BW + spring load system
1	Body	1.4408 / 1.4408 + STL (>DN100)	1.0619N+13Cr
2	Wedge	1.4408	1.0619N+13Cr / 1.4006(≤DN100)
3	Stem	1.4401	1.4021
4	Body seal	TA-Luft Gasket	TA-Luft Gasket
5	Bolts	A4-70	1.7225(GC)
6	Nut	A4-70	1.1181(YK)
7	Bonnet	1.4408	1.0619N
8	Packing	TA-Luft Packing	TA-Luft Packing
10	Fork bolt	A4-70	1.7225(GC)
11	Belleville spring	51CrV4	51CrV4
13	Gland flange	1.4408	1.0619N
15	Stem nut	0.7040	0.7040
17	Handwheel	0.7040	0.7040
18	Lock nut	1.4021	1.1181
19	ISO-Flange	1.4401	C22.5

Dimension list

PN	DN	L	d1max	d2	d3	d4	H	W	Stem	ISO-flange	Torque	Weight(KG)	FTF
40	50	250	67	62	54	50	340	200	Tr20×4LH	F10	35	23.1	Ser.26
	65	290	83	78	70	65	415	39.3	Tr24×5LH	F10	40	34.1	
	80	310	96	91	82	80	420	250	Tr24×5LH	F10	50	36.6	
	100	350	121	116	106	100	485	250	Tr26×5LH	F10	55	55	
	125	400	147	142	131	125	590	350	Tr26×5LH	F14	90	76	

Note: The torque in the table does not contain safety factor.

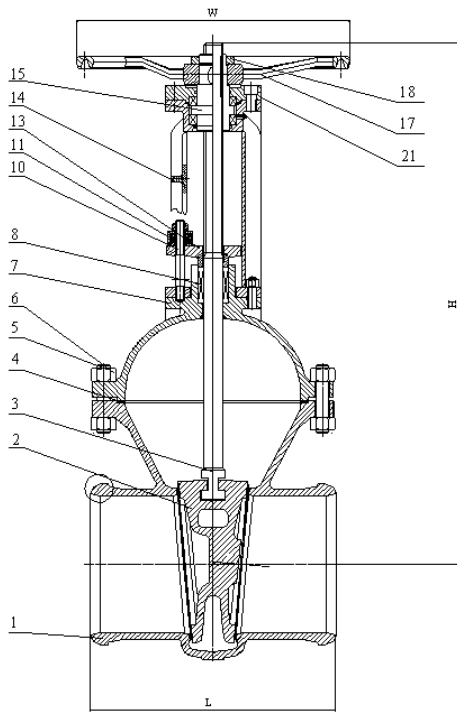
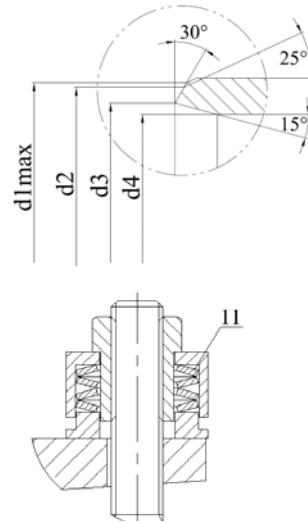


FIG.	Pressure	Material	Range
135.032 - BW + spring load system	PN40	1.0619N	DN150-DN500
155.032 -BW + spring load system	PN40	1.4408	DN150-DN500



spring load system

Design acc. : DIN 3352.
Face to face : EN558-1 Ser.26
BW ends : DIN 3239.
Actuator conn. flange: ISO 5210
Test acc. : EN12266.
TA-Luft Packing
TA-Luft Gasket
Temperature range :
-29°C~ +425°C(1.0619N)
-196°C~ +600°C(1.4408)

Material list

NO.	Part	Material	
		FIG. 155.032 - BW + spring load system	FIG. 135.032 - BW + spring load system
1	Body	1.4408 + STL	1.0619N+13Cr
2	Wedge	1.4408	1.0619N+13Cr / 1.4006(≤DN100)
3	Stem	1.4401	1.4021
4	Body seal	TA-Luft Gasket	TA-Luft Gasket
5	Bolts	A4-70	1.7225(GC)
6	Nut	A4-70	1.1181(YK)
7	Bonnet	1.4408	1.0619N
8	Packing	TA-Luft Packing	TA-Luft Packing
10	Bolt	A4-70	1.7225(GC)
11	Belleville spring	51CrV4	51CrV4
13	Gland flange	1.4408	1.0619N
14	Yoke	1.4408	1.0619N
15	Stem nut	0.7040	0.7040
17	Handwheel	0.7040	0.7040
18	Lock nut	1.4021	1.1181
21	ISO-Flange	1.4401	C22.5

Dimension list

PN	DN	L	d1max	d2	d3	d4	H	W	Stem dimension	ISO-flange	Torque (N.m)	Weight(KG)	FTF
40	150	450	176	171	159	150	670	400	Tr28×5LH	F14	100	103.6	Ser.26
	200	550	228	222	207	200	830	400	Tr32×6LH	F14	170	171	
	250	650	282	276	260	250	955	450	Tr36×6LH	F14	230	299	
	300	750	331	325	309	300	1145	500	Tr44×7LH	F14	350	445	

Note: The torque in the table does not contain safety factor.