

Actuator mounting pad to ISO 5211
Length: EN558-1 G27
Flange end : EN1092
Test acc. : EN12266
Body : 1.0619N /1.4408

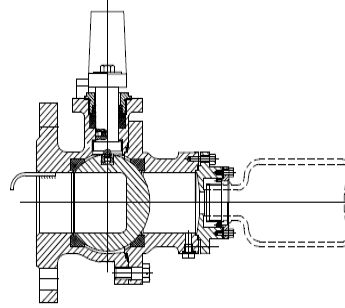


FIG : 121

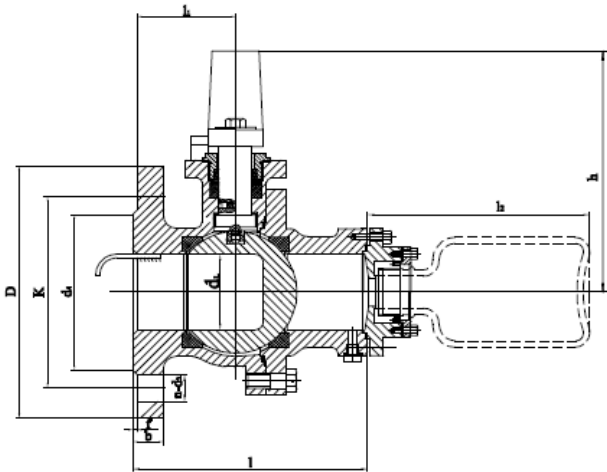


FIG.	Pressure	Material	Range
133.811	PN16	1.0619N	DN15-DN100
153.811	PN16	1.4408	DN15-DN100
135.811	PN40	1.0619N	DN15-DN100
155.811	PN40	1.4408	DN15-DN100

Actuator mounting pad to ISO 5211
Length: EN558-1 G27
Flange end : EN1092-2
Test acc. : EN12266-1

Material List

NO.	Part	Material	
		FIG.153.811/155.811	FIG.133.811/135.811
1	Adapter	1.4408	1.0619N
2	Bolts	A4-70	42CrMo
3	Body seal	PTFE	PTFE
4	Body	1.4408	1.0619N
5	Ball	316	304
6	Bolt	A2-70	A2-70
7	Seat	PTFE+25%glass	PTFE+25%glass
8	Pin	316	316
9	Spring	Graphite	Graphite
10	Trust bearing	PTFE+25%glass	PTFE+25%glass
11	Stem	17-4PH	17-4PH
12	Packing	PTFE	PTFE
15	Gasket	316	316
16	Spring washer	17-7PH	17-7PH
17	Nut	316	45
18	Lever	1.4308	GGG-40
19	Gasket	304	304
20	Bolts	A2-70	35
21	Stop block	304	304
22	Gasket	Graphite	Graphite
26	Baffle	316	316

Dimension List

16(40)	15	Ø15	115	45.5	115	Ø95	16	Ø65	4-Ø14	Ø45×2	≈145	3.5
	20	Ø20	120	50.5	121	Ø105	18	Ø75	4-Ø14	Ø58×2	≈145	4.4
	25	Ø25	125	57.0	127	Ø115	18	Ø85	4-Ø14	Ø68×2	≈145	5.3
	32	Ø31	130	58.0	142	Ø140	18	Ø100	4-Ø18	Ø78×2	≈145	7.2
	40	Ø40	140	63.5	151	Ø150	18	Ø110	4-Ø18	Ø88×3	≈145	9.3
16	50	Ø50	150	67.0	157	Ø165	20	Ø125	4-Ø18	Ø102×3	≈145	13
	65	Ø65	170	71.0	191	Ø185	18	Ø145	4-Ø18	Ø122×3	≈145	16.5
	80	Ø77	180	83.0	201	Ø200	20	Ø160	8-Ø18	Ø138×3	≈190	22.5
40	100	Ø100	190	87	218	Ø220	20	Ø180	8-Ø18	Ø158×3	≈190	30.5
	65	Ø65	170	71.0	191	Ø185	22	Ø145	8-Ø18	Ø122×3	≈145	18.7
	80	Ø77	180	83.0	201	Ø200	24	Ø160	8-Ø18	Ø138×3	≈190	23.6
	100	Ø100	190	87	218	Ø235	24	Ø190	8-Ø22	Ø162×3	≈190	34
PN	DN	d1	l	h	h	D	b	K	n-d1	d1×f	h	Weight

Edit: FengChunyan
 Suzhou Fleu valve Co.Ltd
 No.767 Huagang Road

Checking: WangHuanyu
 Tel : 0086 512 63430669
 Fax : 0086 512 63409789

Approved: ZWS
 Date: 25.Mar.2015
 E-mail : szsales@fleu-valve.com
 http : //www.fleu-valve.com