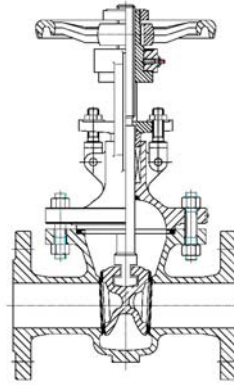
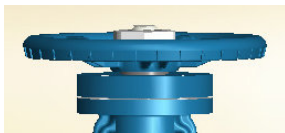


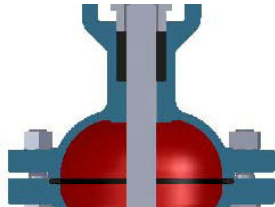
Design acc. : EN 1984.
Face to face : EN558-1 Ser.15/Ser.26
Flange end : EN1092-1.
Test acc. : EN12266.
Temperature range :
-29°C~ +425°C(1.0619N)
-196°C~ +600°C(1.4408)
Body : 1.0619N /1.4408



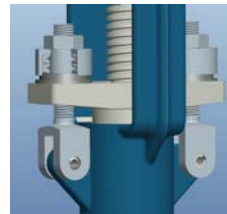
Available



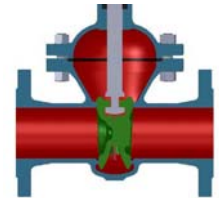
ISO Top Flange



TA Luft gasket and TA Luft Packing



**TA Luft gasket and TA Luft Packing
with spring load system**



**Wall thickness acc.to 300 lbs
for PN16 and PN25 valves**

FIG : 031

Page 1 - 5

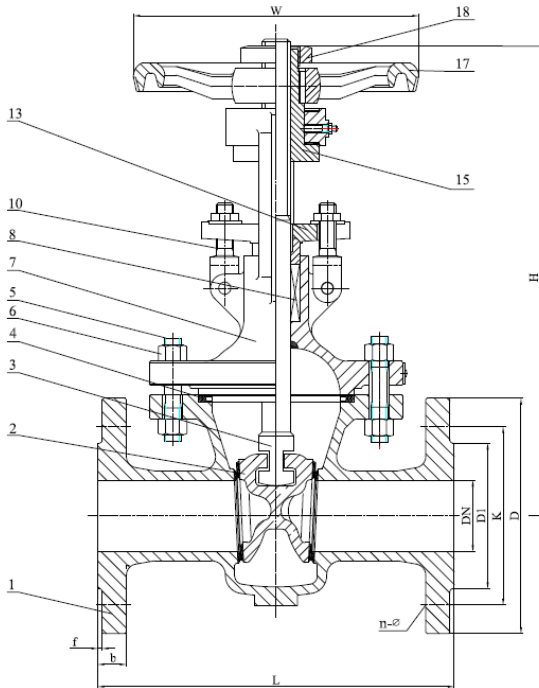


FIG.	Pressure	Material	Range
133.031	PN16	1.0619N	DN50-DN125
134.031	PN25	1.0619N	DN50-DN125
153.031	PN16	1.4408	DN50-DN125
154.031	PN25	1.4408	DN50-DN125

Design acc. : EN 1984.
Face to face : EN558-1 Ser.15
Flange end : EN1092-1.
Test acc. : EN12266.
Temperature range :
 -29°C~ +425°C(1.0619N)
 -196°C~ +600°C(1.4408)

Material list

NO.	Part	Material	
		FIG. 153.031 / 154.031	FIG. 133.031 / 134.031
1	Body	1.4408 / 1.4408 + STL (>DN100)	1.0619N+13Cr
2	Wedge	1.4408	1.0619N+13Cr / 1.4006(≤DN100)
3	Stem	1.4401	1.4021
4	Body seal	1.4401+Graphite	1.4301+Graphite
5	Bolts	A4-70	1.7225(GC)
6	Nut	A4-70	1.1181(YK)
7	Bonnet	1.4408	1.0619N
8	Packing	Graphite	Graphite
10	Fork bolt	A4-70	1.7225(GC)
13	Gland flange	1.4408	1.0619N
15	Stem nut	0.7040	0.7040
17	Handwheel	0.7040	0.7040
18	Lock nut	1.4021	1.1181

Dimension list

PN	DN	L	D1	K	D	f	b	n	d	H	W	FTF
16	65	270	122	145	185	3	18	4	18	425	250	Ser.15
	80	280	138	160	200	3	20	8	18	420	250	
	100	300	158	180	220	3	20	8	18	480	250	
	125	325	188	210	250	3	22	8	18	590	350	
25	65	270	122	145	185	3	22	8	18	425	250	
	80	280	138	160	200	3	24	8	18	420	250	
	100	300	162	190	235	3	24	8	22	500	250	
	125	325	188	220	270	3	26	8	26	590	350	
16/25	50	250	102	125	165	3	20	4	18	340	200	

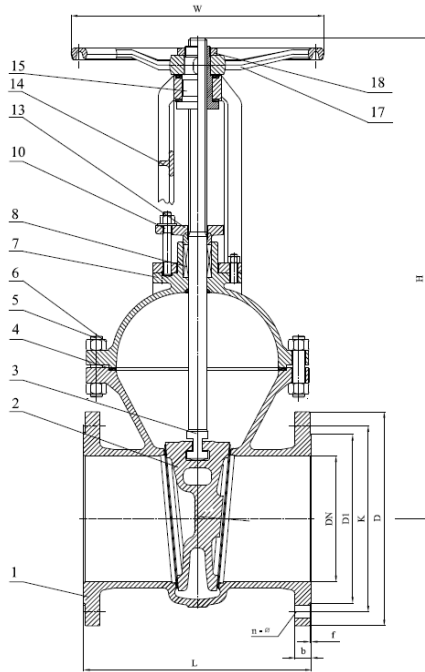


FIG.	Pressure	Material	Range
133.031	PN16	1.0619N	DN150-DN1200
153.031	PN16	1.4408	DN150-DN1200

Design acc. : EN 1984.
Face to face : EN558-1 Ser.15
Flange end : EN1092-1.
Test acc. : EN12266.
Temperature range :
-29°C ~ +425°C (1.0619N)
-196°C ~ +600°C (1.4408)

Material list

NO.	Part	Material	
		FIG. 153.031	FIG. 133.031
1	Body	1.4408 + STL	1.0619N+13Cr
2	Wedge	1.4408	1.0619N +13Cr / 1.4006(≤DN100)
3	Stem	1.4401	1.4021
4	Body seal	1.4401+Graphite	1.4301+Graphite
5	Bolts	A4-70	1.7225(GC)
6	Nut	A4-70	1.1181(YK)
7	Bonnet	1.4408	1.0619N
8	Packing	Graphite	Graphite
10	Bolt	A4-70	1.7225(GC)
13	Gland flange	1.4408	1.0619N
14	Yoke	1.4408	1.0619N
15	Stem nut	0.7040	0.7040
17	Handwheel	0.7040	0.7040
18	Lock nut	1.4021	1.1181

Dimension list

PN	DN	L	D1	K	D	f	b	n	φ	H	W	FTF
16	150	350	212	240	285	3	22	8	22	670	400	Ser.15
	200	400	268	295	340	3	24	12	22	830	400	
	250	450	320	355	405	3	26	12	26	955	450	
	300	500	378	410	460	4	28	12	26	1145	500	
	350	550	438	470	520	4	30	16	26	1210	500	
	400	600	490	525	580	4	32	16	30	1390	600	
	500	700	610	650	715	4	36	20	33	1730	700	
	600	800	725	770	840	5	40	20	36	2120	750	
	700	900	795	840	910	5	42	24	36	2320	860	
	800	1000	900	950	1025	5	42	24	39	3200	1200	
	900	1100	1000	1050	1125	5	44	28	39	4400	1200	
	1000	1200	1115	1170	1255	5	46	28	42	4700	1200	
1200	1400	1330	1390	1485	5	52	32	48	5200	1400		

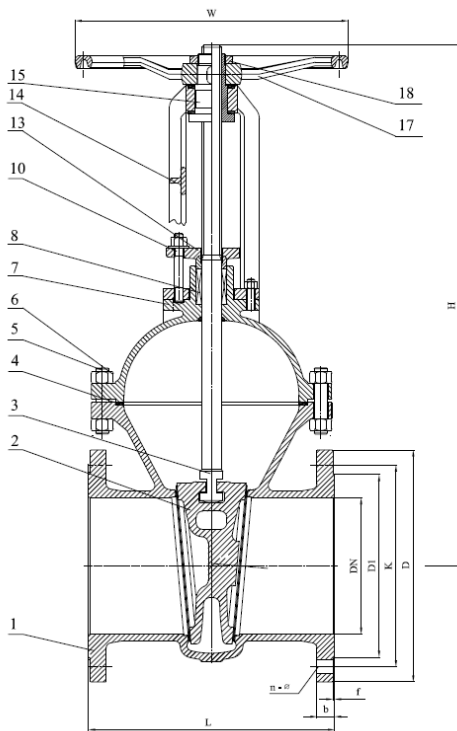


FIG.	Pressure	Material	Range
134.031	PN25	1.0619N	DN150-DN1200
154.031	PN25	1.4408	DN150-DN1200

Design acc. : EN 1984.
Face to face : EN558-1 Ser.15
Flange end : EN1092-1.
Test acc. : EN12266.
Temperature range :
 -29°C ~ +425°C (1.0619N)
 -196°C ~ +600°C (1.4408)

Material list

NO.	Part	Material	
		FIG. 154.031	FIG. 134.031
1	Body	1.4408 + STL	1.0619N+13Cr
2	Wedge	1.4408	1.0619N+13Cr / 1.4006(≤DN100)
3	Stem	1.4401	1.4021
4	Body seal	1.4401+Graphite	1.4301+Graphite
5	Bolts	A4-70	1.7225(GC)
6	Nut	A4-70	1.1181(YK)
7	Bonnet	1.4408	1.0619N
8	Packing	Graphite	Graphite
10	Bolt	A4-70	1.7225(GC)
13	Gland flange	1.4408	1.0619N
14	Yoke	1.4408	1.0619N
15	Stem nut	0.7040	0.7040
17	Handwheel	0.7040	0.7040
18	Lock nut	1.4021	1.1181

Dimension list

PN	DN	L	D1	K	D	f	b	n	φ	H	W	FTF
25	150	350	218	250	300	3	28	8	26	670	400	Ser.15
	200	400	278	310	360	3	30	12	26	830	400	
	250	450	335	370	425	3	32	12	30	955	450	
	300	500	395	430	485	4	34	16	30	1145	500	
	350	550	450	490	555	4	38	16	33	1210	500	
	400	600	505	550	620	4	40	16	36	1390	600	
	500	700	615	660	730	4	44	20	36	1730	700	
	600	800	720	770	845	5	46	20	39	2120	750	
	700	900	820	875	960	5	50	24	42	2320	860	
	800	1000	930	990	1085	5	54	24	48	3200	1200	
	900	1100	1030	1090	1185	5	58	28	48	4400	1200	
	1000	1200	1140	1210	1320	5	62	28	56	4700	1200	
1200	1400	1350	1420	1530	5	70	32	56	5200	1400		

Edit: FengChunyan
 Suzhou Fleu valve Co.Ltd
 No.767 Huagang Road

Checking: WangHuanyu
 Tel : 0086 512 63430669
 Fax : 0086 512 63409789

Approved: ZWS

Date: 02.May.2017

E-mail : szsales@fleu-valve.com
 http : //www.fleu-valve.com

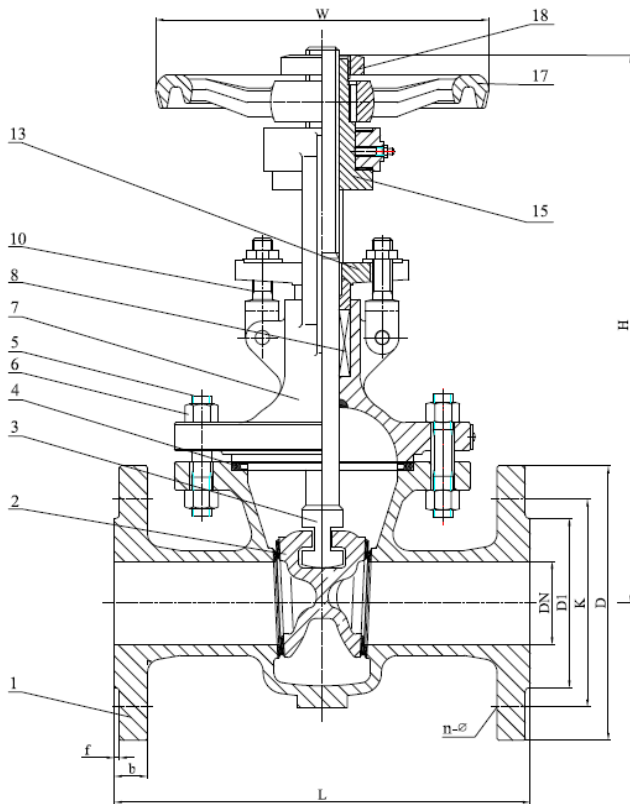


FIG.	Pressure	Material	Range
135.031	PN40	1.0619N	DN50-DN125
155.031	PN40	1.4408	DN50-DN125

Design acc. : EN 1984.
Face to face : EN558-1 Ser.26
Flange end : EN1092-1.
Test acc. : EN12266.
Temperature range :
 -29°C ~ +425°C (1.0619N)
 -196°C ~ +600°C (1.4408)

Material list

NO.	Part	Material	
		FIG. 155.031	FIG. 135.031
1	Body	1.4408 / 1.4408 + STL (>DN100)	1.0619N+13Cr
2	Wedge	1.4408	1.0619N +13Cr / 1.4006(≤DN100)
3	Stem	1.4401	1.4021
4	Body seal	1.4401+Graphite	1.4301+Graphite
5	Bolts	A4-70	1.7225(GC)
6	Nut	A4-70	1.1181(YK)
7	Bonnet	1.4408	1.0619N
8	Packing	Graphite	Graphite
10	Fork bolt	A4-70	1.7225(GC)
13	Gland flange	1.4408	1.0619N
15	Stem nut	0.7040	0.7040
17	Handwheel	0.7040	0.7040
18	Lock nut	1.4021	1.1181

Dimension list

PN	DN	L	D1	K	D	f	b	n	d	H	W	FTF
40	50	250	102	125	165	3	20	4	18	340	200	Ser.26
	65	290	122	145	185	3	22	8	18	415	250	
	80	310	138	160	200	3	24	8	18	420	250	
	100	350	162	190	235	3	24	8	22	485	250	
	125	400	188	220	270	3	26	8	26	590	350	

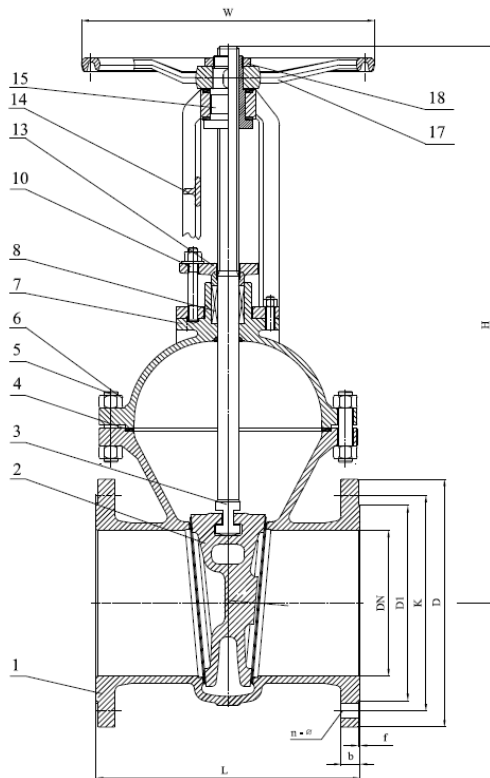


FIG.	Pressure	Material	Range
135.031	PN40	1.0619N	DN150-DN600
155.031	PN40	1.4408	DN150-DN600

Design acc. : EN 1984.
Face to face : EN558-1 Ser.26
Flange end : EN1092-1.
Test acc. : EN12266.
Temperature range :
 -29°C ~ +425°C (1.0619N)
 -196°C ~ +600°C (1.4408)

Material list

NO.	Part	Material	
		FIG. 155.031	FIG. 135.031
1	Body	1.4408 + STL	1.0619N+13Cr
2	Wedge	1.4408	1.0619N +13Cr / 1.4006(≤DN100)
3	Stem	1.4401	1.4021
4	Body seal	1.4401+Graphite	1.4301+Graphite
5	Bolts	A4-70	1.7225(GC)
6	Nut	A4-70	1.1181(YK)
7	Bonnet	1.4408	1.0619N
8	Packing	Graphite	Graphite
10	Bolt	A4-70	1.7225(GC)
13	Gland flange	1.4408	1.0619N
14	Yoke	1.4408	1.0619N
15	Stem nut	0.7040	0.7040
17	Handwheel	0.7040	0.7040
18	Lock nut	1.4021	1.1181

Dimension list

PN	DN	L	D1	K	D	f	b	n	d	H	W	FTF
40	150	450	218	250	300	3	28	8	26	670	400	Ser.26
	200	550	285	320	375	3	34	12	30	830	400	
	250	650	345	385	450	3	38	12	33	955	450	
	300	750	410	450	515	4	42	16	33	1145	500	
	350	850	465	510	580	4	46	16	36	1210	500	
	400	950	535	585	660	4	50	16	39	1390	600	
	500	1150	615	670	755	4	52	20	39	1730	700	
	600	1350	735	795	890	5	60	20	48	2120	750	