

**Design acc. : EN 13709**

**Face to face : DIN EN558-1.**

**Flange end : EN1092-1 Form B1.**

**Test acc. : EN12266.**

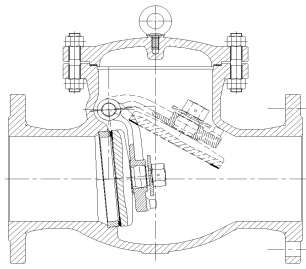
**TA-Luft Gasket**

**Temperature range :**

**-29°C~ +425°C(1.0619N)**

**-196°C~ +600°C(1.4408)**

**Body : 1.0619N /1.4408**



**FIG : 451**

**FIG : 451**

---

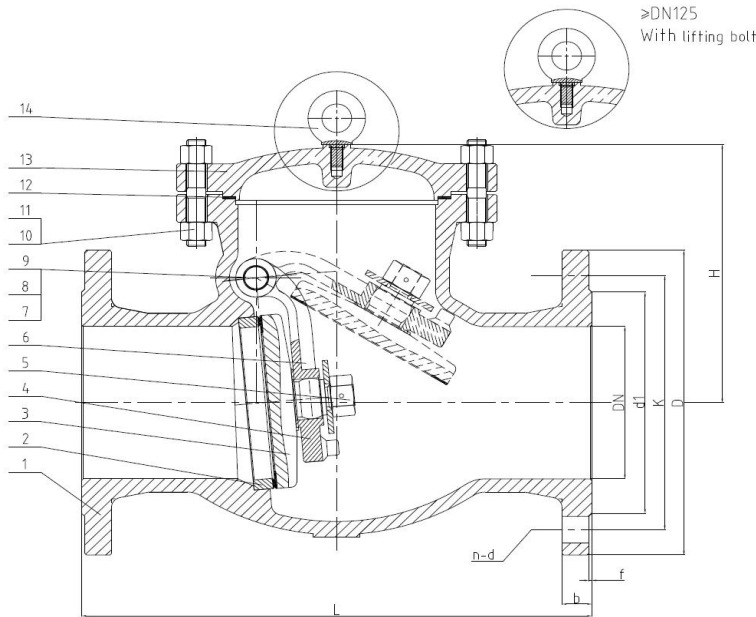


FIG.	Pressure	Material	Range
132.451	PN10	1.0619N	DN40-DN150
133.451	PN16	1.0619N	DN40-DN150
134.451	PN25	1.0619N	DN40-DN150
135.451	PN40	1.0619N	DN40-DN150
152.451	PN10	1.4408	DN40-DN150
153.451	PN16	1.4408	DN40-DN150
154.451	PN25	1.4408	DN40-DN150
155.451	PN40	1.4408	DN40-DN150

**Design acc. : EN 13709**  
**Face to face : EN558-1.**  
**Flange end : EN1092-1 Form B1.**  
**Test acc. : EN12266.**  
**TA-Luft Gasket**  
**Temperature range :**  
 -29°C~ +425°C(1.0619N)  
 -196°C~ +600°C(1.4408)

**Material list**

NO.	Part	Material	
		FIG. 152.451 / 153.451 / 154.451 / 155.451	FIG. 132.451 / 133.451 / 134.451 / 135.451
1	Body	1.4408	1.0619N
2	Seat	1.4408	C22.8+13Cr
3	Flap	1.4408	1.0619N+13Cr
4	Nut	A4	1.1181(YK)
5	Gasket	1.4401	C35
6	Flap lever	1.4408	1.0619N
7	Shaft	1.4401	1.4021
8	Plug	1.4401	1.4021
9	Gasket	1.4401	1.4401
10	Stud bolt	A4	1.7225(GC)
11	Nut	A4	1.1181(YK)
12	Gasket	TA-Luft Gasket	TA-Luft Gasket
13	Cover	1.4408	1.0619N
14	Bolt	A2	C35

**Dimension List**

PN	DN	D	K	d1	L	H	A	n	d	b	f	kg
10/16	40	150	110	88	180	135	130	4	18	18	3	11.0
	50	165	125	102	200	160	145	4	18	18	3	16.8
	65	185	145	122	240	165	180	4	18	18	3	23.1
	80	200	160	138	260	180	195	8	18	20	3	26.3
	100	220	180	158	300	210	225	8	18	20	3	38.9
	125	250	210	188	350	240	265	8	18	22	3	59.9
25	150	285	240	212	400	265	310	8	22	22	3	87.2
	65	185	145	122	290	175	185	8	18	22	3	23.8
	80	200	160	138	310	190	205	8	18	24	3	27.1
	100	235	190	162	350	220	240	8	22	24	3	40.1
	125	270	220	188	400	240	265	8	26	26	3	61.7
40	150	300	250	218	480	260	300	8	26	28	3	89.8
	40	150	110	88	200	140	145	4	18	18	3	13.1
	50	165	125	102	230	160	165	4	18	20	3	17.9
	65	185	145	122	290	175	185	8	18	22	3	25.2
	80	200	160	138	310	190	205	8	18	24	3	33.6
	100	235	190	162	350	220	240	8	22	24	3	49.4
40	125	270	220	188	400	240	265	8	26	26	3	65.1
	150	300	250	218	480	260	300	8	26	28	3	99.2

Edit: FengChunyan  
 Suzhou Fleu valve Co.Ltd  
 No.767 Huagang Road

Checking: WangHuanyu  
 Tel : 0086 512 63430669  
 Fax : 0086 512 63409789

Approved: ZWS  
 Date: 19.Feb.2021  
 E-mail : szsales@fleu-valve.com  
 http : //www.fleu-valve.com

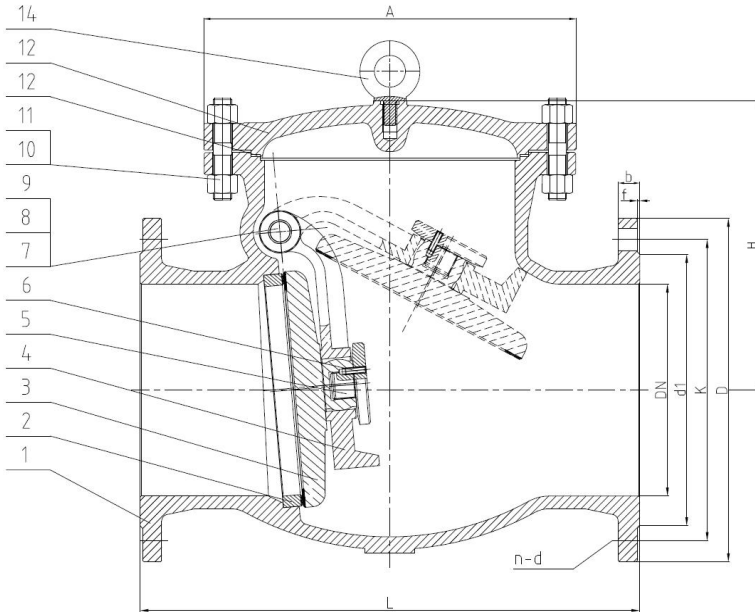


FIG.	Pressure	Material	Range
132.451	PN10	1.0619N	DN200-DN600
133.451	PN16	1.0619N	DN200-DN600
152.451	PN10	1.4408	DN200-DN600
153.451	PN16	1.4408	DN200-DN600

**Design acc. : EN 13709**  
**Face to face : EN558-1.**  
**Flange end : EN1092-1 Form B1.**  
**Test acc. : EN12266.**  
**TA-Luft Gasket**  
**Temperature range :**  
**-29°C ~ +425°C (1.0619N)**  
**-196°C ~ +600°C (1.4408)**

**Material list**

NO.	Part	Material	
		FIG. 152.451 / 153.451	FIG. 132.451 / 133.451
1	Body	1.4408	1.0619N
2	Seat	1.4408	C22.8+13Cr
3	Flap	1.4408	1.0619N+13Cr
4	Flap lever	1.4408	1.0619N
5	Disc nut	1.4401	C35
6	Set screw	A4	1.7225(GC)
7	Shaft	1.4401	1.4021
8	Plug	1.4401	1.4021
9	Gasket	1.4401	1.4401
10	Stud bolt	A4	1.7225(GC)
11	Nut	A4	1.1181(YK)
12	Gasket	TA-Luft Gasket	TA-Luft Gasket
13	Cover	1.4408	1.0619N
14	Bolt	A2	C35

**Dimension List**

PN	DN	D	K	d1	L	H	A	n	d	b	f	kg
10	200	340	295	268	500	320	380	8	22	24	3	164
	250	395	350	320	600	335	425	12	22	26	3	211
	300	445	400	370	700	390	470	12	22	26	4	322
	350	505	460	430	800	--	--	16	22	26	4	483
	400	565	515	482	900	--	--	16	26	26	4	725
	500	670	620	585	1100	--	--	20	26	28	4	1160
	600	780	725	685	1300	--	--	20	30	34	5	1856
16	200	340	295	268	500	320	380	12	22	24	3	165
	250	405	355	320	600	335	425	12	26	26	3	214
	300	460	410	378	700	390	470	12	26	32	4	327
	350	520	470	438	800	--	--	16	26	30	4	491
	400	580	525	490	900	--	--	16	30	32	4	737
	500	715	650	610	1100	--	--	20	33	44	4	1180
	600	840	770	725	1300	--	--	20	36	54	5	1888

