

Design acc. : EN 13709

Face to face : DIN EN558-1.

BW ends : DIN 3239.

Test acc. : EN12266.

TA-Luft Gasket

Temperature range :

-29°C~ +425°C(1.0619N)

-196°C~ +600°C(1.4408)

Body : 1.0619N /1.4408

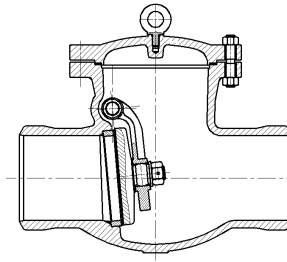
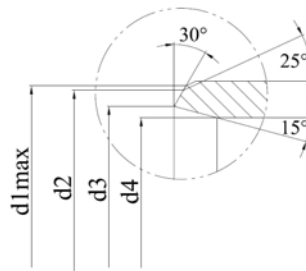
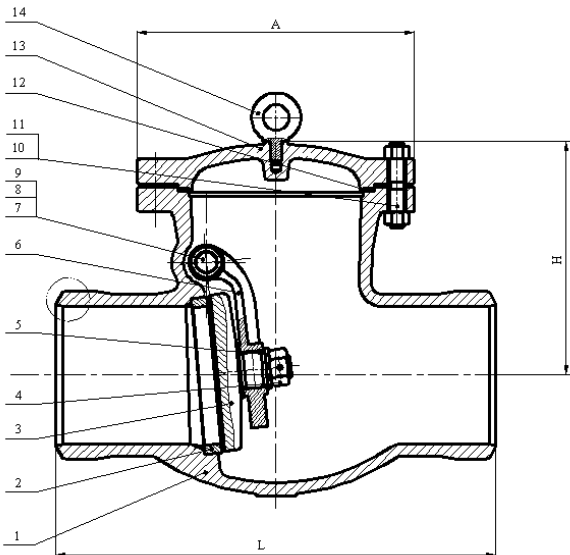


FIG : 451 - BW

FIG : 451 - BW

FIG.	Pressure	Material	Range
132.451 - BW	PN10	1.0619N	DN40-DN150
133.451 - BW	PN16	1.0619N	DN40-DN150
134.451 - BW	PN25	1.0619N	DN40-DN150
135.451 - BW	PN40	1.0619N	DN40-DN150
152.451 - BW	PN10	1.4408	DN40-DN150
153.451 - BW	PN16	1.4408	DN40-DN150
154.451 - BW	PN25	1.4408	DN40-DN150
155.451 - BW	PN40	1.4408	DN40-DN150



Design acc. : EN 13709
 Face to face : EN558-1.
 BW ends : DIN 3239.
 Test acc. : EN12266.
 TA-Luft Gasket
 Temperature range :
 -29°C ~ +425°C (1.0619N)
 -196°C ~ +600°C (1.4408)

Material list

NO.	Part	Material	
		FIG. 152.451 - BW / 153.451 - BW / 154.451 - BW / 155.451 - BW	FIG. 132.451 - BW / 133.451 - BW / 134.451 - BW / 135.451 - BW
1	Body	1.4408	1.0619N
2	Seat	1.4408	C22.8+13Cr
3	Flap	1.4408	1.0619N+13Cr
4	Nut	A4	35
5	Gasket	1.4401	35
6	Flap lever	1.4408	1.0619N
7	Shaft	1.4401	1.4021
8	Plug	1.4401	1.4021
9	Gasket	1.4401	1.4401
10	Stud bolt	A4	1.7225(GC)
11	Nut	A4	1.1181(YK)
12	Gasket	TA-Luft Gasket	TA-Luft Gasket
13	Cover	1.4408	1.0619N
14	Bolt	A2	35

Dimension List

PN	DN	L	d1max	d2	d3	d4	H	A	kg
10/16	40	180	54	50	43	40	135	130	7.7
	50	200	67	62	54	50	160	145	13.1
	65	240	83	78	70	65	165	180	18.7
	80	260	96	91	82	80	180	195	21.1
	100	300	121	116	106	100	210	225	33.1
	125	350	147	142	131	125	240	265	52.5
25	150	400	171	159	150	670	265	310	77.7
	65	290	83	78	70	65	175	185	19.4
	80	310	96	91	82	80	190	205	21.9
	100	350	121	116	106	100	220	240	34.3
	125	400	147	142	131	125	240	265	54.3
40	150	480	171	159	150	670	260	300	80.3
	40	200	54	50	43	40	140	145	9.8
	50	230	67	62	54	50	160	165	14.2
	65	290	83	78	70	65	175	185	20
	80	310	96	91	82	80	190	205	27.4
	100	350	121	116	106	100	220	240	40.8
	125	400	147	142	131	125	240	265	53.1
150	480	171	159	150	670	260	300	84.8	

Edit: FengChunyan
 Suzhou Fleu valve Co.Ltd
 No.767 Huagang Road

Checking: WangHuanyu
 Tel : 0086 512 63430669
 Fax : 0086 512 63409789

Approved: ZWS
 Date: 15.Jun.2019
 E-mail : szsales@fleu-valve.com
 http : //www.fleu-valve.com

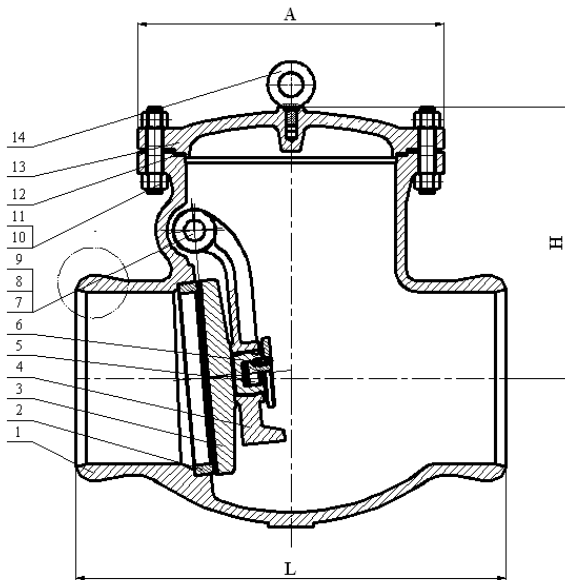
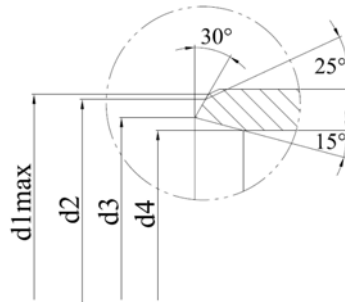


FIG.	Pressure	Material	Range
132.451 - BW	PN10	1.0619N	DN200-DN500
133.451 - BW	PN16	1.0619N	DN200-DN500
152.451 - BW	PN10	1.4408	DN200-DN500
153.451 - BW	PN16	1.4408	DN200-DN500



Design acc. : EN 13709
 Face to face : EN558-1.
 BW ends : DIN 3239.
 Test acc. : EN12266.
 TA-Luft Gasket
 Temperature range :
 -29°C~ +425°C(1.0619N)
 -196°C~ +600°C(1.4408)

Material list

NO.	Part	Material	
		FIG. 152.451 - BW / 153.451 - BW	FIG. 132.451 - BW / 133.451 - BW
1	Body	1.4408	1.0619N
2	Seat	1.4408	C22.8+13Cr
3	Flap	1.4408	1.0619N+13Cr
4	Flap lever	1.4408	1.0619N
5	Disc nut	1.4401	35
6	Set screw	A4	1.7225(GC)
7	Shaft	1.4401	1.4021
8	Plug	1.4401	1.4021
9	Gasket	1.4401	1.4401
10	Stud bolt	A4	1.7225(GC)
11	Nut	A4	1.1181(YK)
12	Gasket	TA-Luft Gasket	TA-Luft Gasket
13	Cover	1.4408	1.0619N
14	Bolt	A2	35

Dimension List

PN	DN	L	d1max	d2	d3	d4	A	h	kg
10	200	500	228	222	207	200	380	320	150.6
	250	600	282	276	260	250	425	335	191
	300	700	331	325	309	300	470	390	298.2
	350	800	365	359	341	350	--	--	453.8
	400	900	417	411	387	400	--	--	687
	500	1100	518	612	482	500	--	--	1084
16	200	500	228	222	207	200	380	320	151.6
	250	600	282	276	260	250	425	335	194
	300	700	331	325	309	300	470	390	303.2
	350	800	365	359	341	350	--	--	461.8
	400	900	417	411	387	400	--	--	699
	500	1100	518	612	482	500	--	--	1104

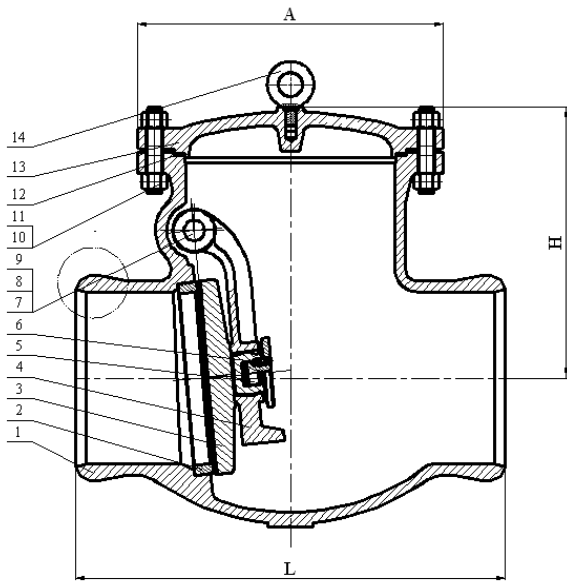
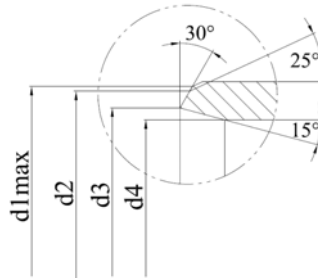


FIG.	Pressure	Material	Range
134.451 - BW	PN25	1.0619N	DN200-DN500
135.451 - BW	PN40	1.0619N	DN200-DN500
154.451 - BW	PN25	1.4408	DN200-DN500
155.451 - BW	PN40	1.4408	DN200-DN500



Design acc. : EN 13709
Face to face : EN558-1.
BW ends : DIN 3239.
Test acc. : EN12266.
TA-Luft Gasket
Temperature range :
-29°C~ +425°C(1.0619N)
-196°C~ +600°C(1.4408)

Material list

NO.	Part	Material	
		FIG. 154.451 - BW / 155.451 - BW	FIG. 134.451 - BW / 135.451 - BW
1	Body	1.4408	1.0619N
2	Seat	1.4408	C22.8+13Cr
3	Flap	1.4408	1.0619N+13Cr
4	Flap lever	1.4408	1.0619N
5	Disc nut	1.4401	35
6	Set screw	A4	1.7225(GC)
7	Shaft	1.4401	1.4021
8	Plug	1.4401	1.4021
9	Gasket	1.4401	1.4401
10	Stud bolt	A4	1.7225(GC)
11	Nut	A4	1.1181(YK)
12	Gasket	TA-Luft Gasket	TA-Luft Gasket
13	Cover	1.4408	1.0619N
14	Bolt	A2	35

Dimension List

PN	DN	L	d1max	d2	d3	d4	A	H	kg
25	200	600	228	222	207	200	380	350	163
	250	730	282	276	260	250	410	370	202
	300	850	331	325	309	300	480	440	317
	350	980	365	359	341	350	--	--	481
	400	1100	417	411	387	400	--	--	734
	500	1250	518	612	482	500	--	--	1179
40	200	600	228	222	207	200	380	350	165
	250	730	282	276	260	250	410	370	205
	300	850	331	325	309	300	480	440	330
	350	980	365	359	341	350	--	--	500
	400	1100	417	411	387	400	--	--	755
	500	1250	518	612	482	500	--	--	1205