

Design acc. : EN 13709

Face to face : DIN EN558-1.

Flange end : EN1092-1 Form B1.

Test acc. : EN12266.

TA-Luft Gasket

Temperature range :

-29°C~ +425°C(1.0619N)

-196°C~ +600°C(1.4408)

Body : 1.0619N /1.4408

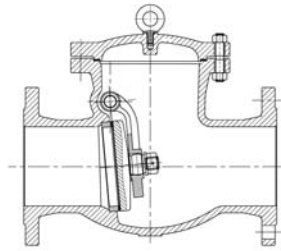


FIG : 451



FIG : 451

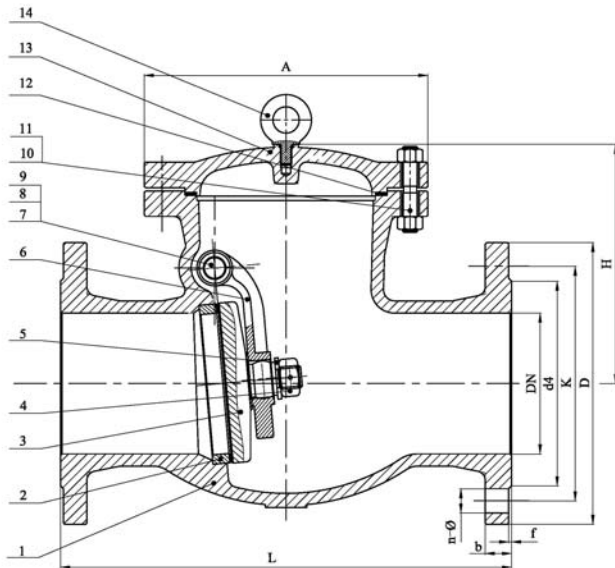


FIG.	Pressure	Material	Range
132.451	PN10	1.0619N	DN40-DN150
133.451	PN16	1.0619N	DN40-DN150
134.451	PN25	1.0619N	DN40-DN150
135.451	PN40	1.0619N	DN40-DN150
152.451	PN10	1.4408	DN40-DN150
153.451	PN16	1.4408	DN40-DN150
154.451	PN25	1.4408	DN40-DN150
155.451	PN40	1.4408	DN40-DN150

Design acc. : EN 13709
Face to face : EN558-1.
Flange end : EN1092-1 Form B1.
Test acc. : EN12266.
TA-Luft Gasket
Temperature range :
 -29°C ~ +425°C (1.0619N)
 -196°C ~ +600°C (1.4408)

Material list

NO.	Part	Material	
		FIG. 152.451 / 153.451 / 154.451 / 155.451	FIG. 132.451 / 133.451 / 134.451 / 135.451
1	Body	1.4408	1.0619N
2	Seat	1.4408	C22.8+13Cr
3	Flap	1.4408	1.0619N+13Cr
4	Nut	A4	35
5	Gasket	1.4401	35
6	Flap lever	1.4408	1.0619N
7	Shaft	1.4401	1.4021
8	Plug	1.4401	1.4021
9	Gasket	1.4401	1.4401
10	Stud bolt	A4	1.7225(GC)
11	Nut	A4	1.1181(YK)
12	Gasket	TA-Luft Gasket	TA-Luft Gasket
13	Cover	1.4408	1.0619N
14	Bolt	A2	35

Dimension List

PN	DN	D	K	d4	L	h	A	n	d2	b	f	kg
10/16	40	150	110	88	180	135	130	4	18	18	3	10.5
	50	165	125	102	200	160	145	4	18	18	3	16.0
	65	185	145	122	240	165	180	4	18	18	3	22.0
	80	200	160	138	260	180	195	8	18	20	3	25.0
	100	220	180	158	300	210	225	8	18	20	3	37.0
	125	250	210	188	350	240	265	8	18	22	3	57.0
	150	285	240	212	400	265	310	8	22	22	3	83.0
25	65	185	145	122	290	175	185	8	18	22	3	24.0
	80	200	160	138	310	190	205	8	18	24	3	32.0
	100	235	190	162	350	220	240	8	22	24	3	46.5
	125	270	220	188	400	240	265	8	26	26	3	61.5
	150	300	250	218	480	260	300	8	26	28	3	88.0
40	40	150	110	88	200	140	145	4	18	18	3	12.5
	50	165	125	102	230	160	165	4	18	20	3	17.0
	65	185	145	122	290	175	185	8	18	22	3	24.0
	80	200	160	138	310	190	205	8	18	24	3	32.0
	100	235	190	162	350	220	240	8	22	24	3	46.5
	125	270	220	188	400	240	265	8	26	26	3	61.5
	150	300	250	218	480	260	300	8	26	28	3	88.0

Edit: FengChunyan
 Suzhou Fleu valve Co.Ltd
 No.767 Huagang Road

Checking: WangHuanyu
 Tel : 0086 512 63430669
 Fax : 0086 512 63409789

Approved: ZWS
 Date: 17.Apr.2017
 E-mail : szsales@fleu-valve.com
 http : //www.fleu-valve.com

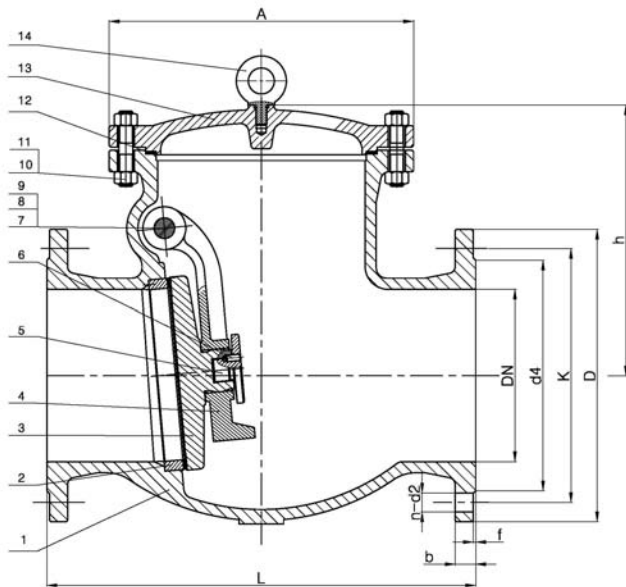


FIG.	Pressure	Material	Range
132.451	PN10	1.0619N	DN200-DN600
133.451	PN16	1.0619N	DN200-DN600
152.451	PN10	1.4408	DN200-DN600
153.451	PN16	1.4408	DN200-DN600

Design acc. : EN 13709
 Face to face : EN558-1.
 Flange end : EN1092-1 Form B1.
 Test acc. : EN12266.
 TA-Luft Gasket
 Temperature range :
 -29°C ~ +425°C (1.0619N)
 -196°C ~ +600°C (1.4408)

Material list

NO.	Part	Material	
		FIG. 152.451 / 153.451	FIG. 132.451 / 133.451
1	Body	1.4408	1.0619N
2	Seat	1.4408	C22.8+13Cr
3	Flap	1.4408	1.0619N+13Cr
4	Flap lever	1.4408	1.0619N
5	Disc nut	1.4401	35
6	Set screw	A4	1.7225(GC)
7	Shaft	1.4401	1.4021
8	Plug	1.4401	1.4021
9	Gasket	1.4401	1.4401
10	Stud bolt	A4	1.7225(GC)
11	Nut	A4	1.1181(YK)
12	Gasket	TA-Luft Gasket	TA-Luft Gasket
13	Cover	1.4408	1.0619N
14	Bolt	A2	35

Dimension List

PN	DN	D	K	d4	L	h	A	n	d2	b	f	kg
10	200	340	295	268	500	320	380	8	22	24	3	157.0
	250	395	350	320	600	335	425	12	22	26	3	203.0
	300	445	400	370	700	390	470	12	22	26	4	255.0
	350	505	460	430	800	--	--	16	22	26	4	--
	400	565	515	482	900	--	--	16	26	26	4	--
	500	670	620	585	1100	--	--	20	26	28	4	--
	600	780	725	685	1300	--	--	20	30	34	5	--
16	200	340	295	268	500	320	380	12	22	24	3	157.0
	250	405	355	320	600	335	425	12	26	26	3	203.0
	300	460	410	378	700	390	470	12	26	32	4	255.0
	350	520	470	438	800	--	--	16	26	30	4	--
	400	580	525	490	900	--	--	16	30	32	4	--
	500	715	650	610	1100	--	--	20	33	44	4	--
	600	840	770	725	1300	--	--	20	36	54	5	--

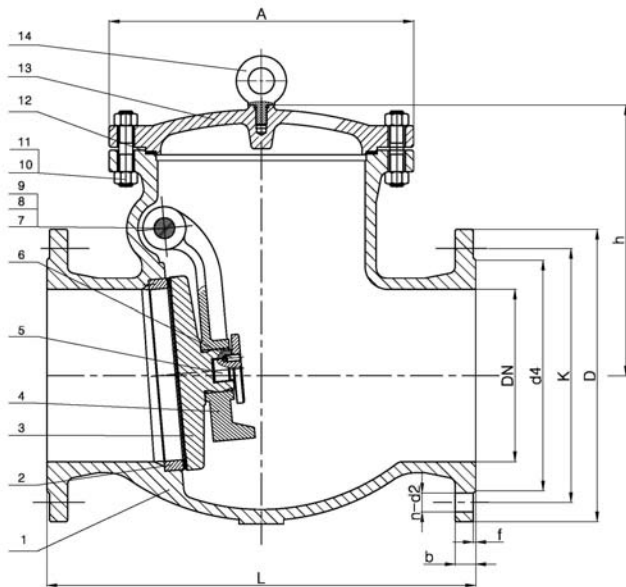


FIG.	Pressure	Material	Range
134.451	PN25	1.0619N	DN200-DN600
135.451	PN40	1.0619N	DN200-DN600
154.451	PN25	1.4408	DN200-DN600
155.451	PN40	1.4408	DN200-DN600

Design acc. : EN 13709
 Face to face : EN558-1.
 Flange end : EN1092-1 Form B1.
 Test acc. : EN12266.
 TA-Luft Gasket
 Temperature range :
 -29°C ~ +425°C (1.0619N)
 -196°C ~ +600°C (1.4408)

Material list

NO.	Part	Material	
		FIG. 154.451 / 155.451	FIG. 134.451 / 135.451
1	Body	1.4408	1.0619N
2	Seat	1.4408	C22.8+13Cr
3	Flap	1.4408	1.0619N+13Cr
4	Flap lever	1.4408	1.0619N
5	Disc nut	1.4401	35
6	Set screw	A4	1.7225(GC)
7	Shaft	1.4401	1.4021
8	Plug	1.4401	1.4021
9	Gasket	1.4401	1.4401
10	Stud bolt	A4	1.7225(GC)
11	Nut	A4	1.1181(YK)
12	Gasket	TA-Luft Gasket	TA-Luft Gasket
13	Cover	1.4408	1.0619N
14	Bolt	A2	35

Dimension List

PN	DN	D	K	d4	L	h	A	n	d2	b	f	kg
25	200	360	310	278	600	350	380	12	26	30	3	170.5
	250	425	370	335	730	370	410	12	30	32	3	216.0
	300	485	430	395	850	440	480	16	30	34	4	258.0
	350	555	490	450	980	--	--	16	33	38	4	--
	400	620	550	505	1100	--	--	16	36	40	4	--
	500	730	660	615	1250	--	--	20	36	48	4	--
	600	845	770	720	1450	--	--	20	39	58	5	--
40	200	375	320	285	600	350	380	12	30	34	3	170.0
	250	450	385	345	730	370	410	12	33	38	3	216.0
	300	515	450	410	850	440	480	16	33	42	4	327.0
	350	580	510	465	980	--	--	16	36	46	4	--
	400	660	585	535	1100	--	--	16	39	50	4	--
	500	755	670	615	1250	--	--	20	42	57	4	--
	600	890	795	735	1450	--	--	20	48	72	5	--