

Design acc. : EN 13789
Face to face : EN558 G1
Flange end : EN1092-2
Test acc. : EN12266
TA-Luft Packing
TA-Luft Gasket
Temperature range :
-30°C~ +350°C
Body : GGG40.3

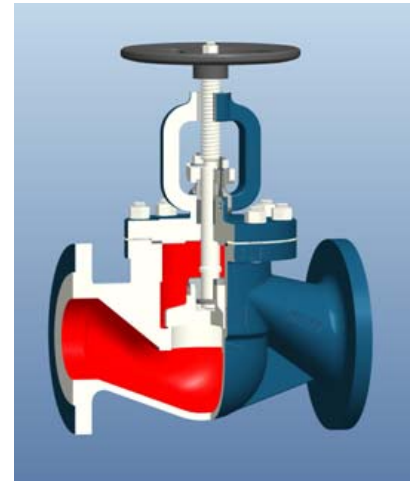
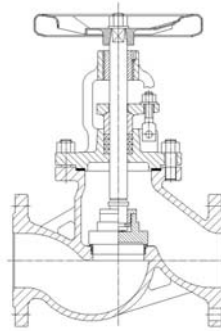
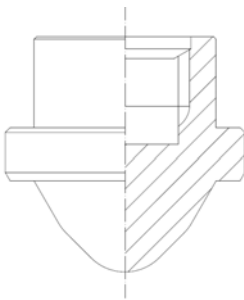


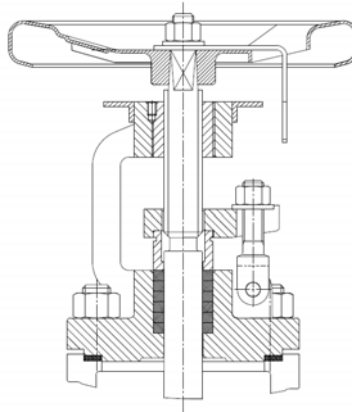
FIG : 101

FIG : 101

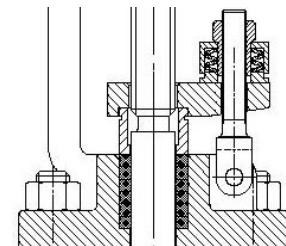
Available



regulating disc



position indicator



spring load system

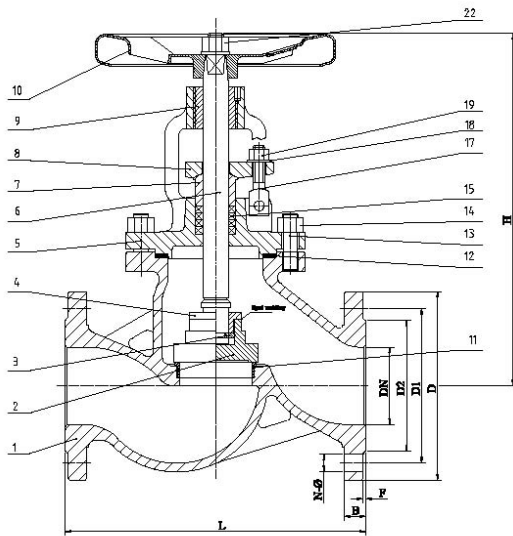
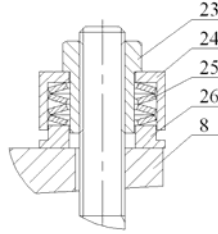


FIG.	Pressure	Material	Range
123.101	PN16	GGG40.3	DN15-DN100



spring load system

Design acc. : EN 13789
Face to face : EN558 G1
Flange end : EN1092-2
Test acc. : EN12266-1
TA-Luft Packing
TA-Luft Gasket
 Temperature range :
-30°C ~ +350°C

Material List

NO.	Part	Material
		FIG.123.101
1	Body	GGG-40.3
2	Disk	1.4021
3	Split ring	1.4021 (2Cr13)
4	Disc screw	1.4021 (2Cr13)
5	Bonnet	GGG-40.3
6	Stem	1.4006 (1Cr13)
7	Packing bushing	1.4021 (2Cr13)
8	Gland	1.0619
9	Stem nut	GGG-40.3
10	Hand wheel	C10E
11	Seat ring	1.4006 (1Cr13)
12	Body seal	TA-Luft Gasket
13	Bolt	1.7225 (GC)
14	Nut	1.1181 (YK)
15	Packing	TA-Luft Packing
17	Fork bolts	35CrMo
18	Gasket	Q215
19	Nut	45
22	Nut	C35N
23	Nut	1.4006
24	Cover	1.4006
25	Spring	51CrV4
26	Gasket	1.4006

Dimension List

DN	PN16							H	Travel	Kv(m³/h)	Weight(KG)
	L	D	D1	D2	B	F	N-Φ				
15	130	95	65	45	14	2	4-14	202	8	2.9	3.7
20	150	105	75	58	16	2	4-14	202	8	6.0	4.2
25	160	115	85	68	16	2	4-14	210	13	10.3	4.7
32	180	140	100	78	18	2	4-18	210	13	17.6	6.3
40	200	150	110	88	18	3	4-18	230	14	30.5	9.5
50	230	165	125	102	20	3	4-18	230	18	50.2	12.6
65	290	185	145	122	20	3	4-18	245	26	85.8	18.9
80	310	200	160	138	22	3	8-18	265	29	134.8	23.6
100	350	220	180	158	24	3	8-18	350	36	214.6	38.3

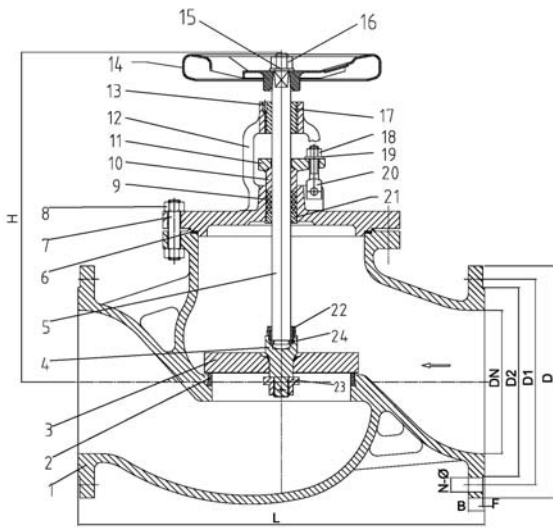
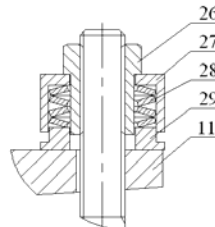


FIG.	Pressure	Material	Range
123.101	PN16	GGG40.3	DN125-DN300



spring load system

Design acc. : EN 13789
Face to face : EN558 G1
Flange end : EN1092-2
Test acc. : EN12266-1
TA-Luft Packing
TA-Luft Gasket
 Temperature range :
-30°C ~ +350°C

Material List

NO.	Part	Material
		FIG.123.101
1	Body	GGG-40.3
2	Seat ring	1.4406
3	Disk	C25(forge)+13Cr
4	Secondary disc	1.4021
5	Stem	1.4006
6	Gasket	TA-Luft Gasket
7	Bolt	1.7225 (GC)
8	Nut	1.1181 (YK)
9	Packing	TA-Luft Packing
10	Packing bushing	1.4021
11	Gland	1.0619N
12	Bonnet	GGG40.3
13	Screw	CK35
14	Handwheel	C10E
15	Gasket	C35N
16	Nut	C35N
17	Stem nut	GGG-40.3
20	Bolt	35CrMo
21	Back seal	1.4006
22	Disc screw	1.4021
23	Nut	1.4021
24	Split ring	1.4021
26	Nut	1.4006
27	Cover	1.4006
28	Spring	51CrV4
29	Gasket	1.4006

Dimension List

DN	PN16							H	Travel	Kv (m ³ /h)	Weight(KG)
	L	D	D1	D2	B	F	N-Φ				
125	400	250	210	188	26	3	8-18	380	48	313.5	55.1
150	480	285	240	218	26	3	8-23	415	73	436.1	83.0
200	600	340	295	268	30	3	12-23	550	76	776.7	155
250	730	405	355	320	32	3	12-27	720	78	1214.9	208
300	850	460	410	378	32	4	12-27	788	110	1747.2	286