

Design acc. : EN 13709
Face to face : EN558 G1
Flange end : EN1092-1
Test acc. : EN12266
TA-Luft Packing
TA-Luft Gasket
Temperature range :
 -29°C to +425°C (1.0619N)
 -196°C to +600°C (1.4408)
Body : 1.0619N /1.4408

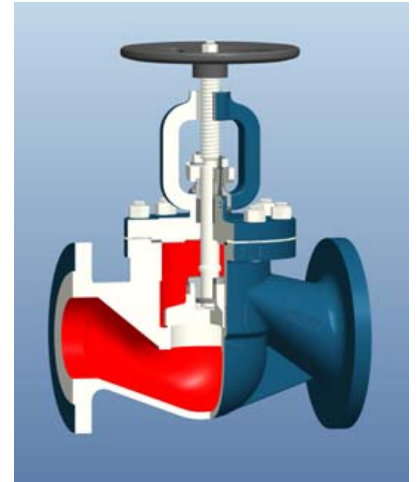
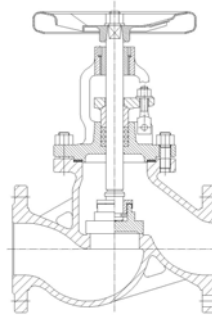


FIG : 121

Page 1 - 2

FIG : 121

Design acc. : EN 13789
Face to face : EN558 G1
Flange end : EN1092-2
Test acc. : EN12266
TA-Luft Packing
TA-Luft Gasket
Temperature range :
 -15°C~ +200°C(GG)
 -30°C~ +350°C(GGG)
Body : GG25/GGG40.3

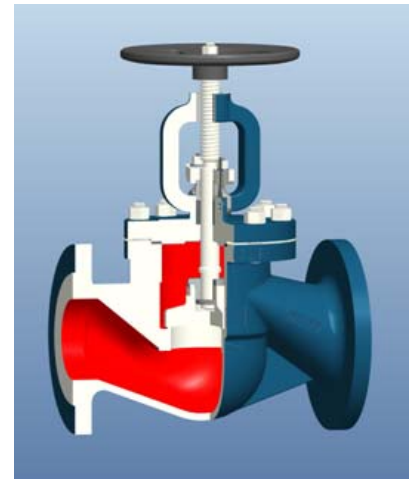
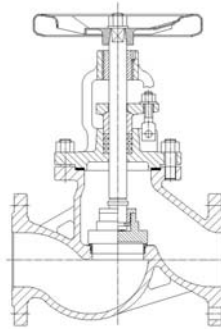


FIG : 101

Page 3 - 4

FIG : 101

Design acc. : EN 13709
Face to face : EN558
Flange end : EN1092-1
Test acc. : EN12266
TA-Luft Packing
TA-Luft Gasket
Temperature range :
 -29°C to +425°C (1.0619N)
 -196°C to +600°C (1.4408)
Body : 1.0619N /1.4408

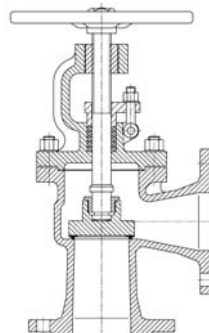


FIG : 125

Page 5 - 8

FIG : 125

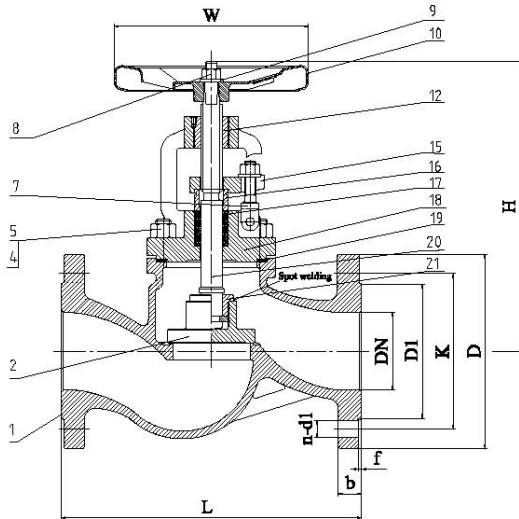
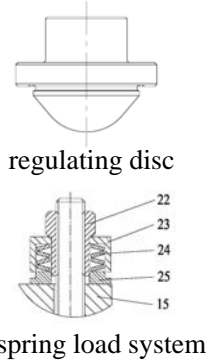


FIG.	Pressure	Material	Range
133.121	PN16	1.0619N	DN15-DN100
135.121	PN40	1.0619N	DN15-DN100
153.121	PN16	1.4408	DN15-DN100
155.121	PN40	1.4408	DN15-DN100



Design acc. : EN 13709
Face to face : EN558 G1
Flange end : EN1092-1
Test acc. : EN12266-1
TA-Luft Packing
TA-Luft Gasket
Temperature range :
-29°C to +425°C (1.0619N)
-196°C to +600°C (1.4408)

Material List

NO.	Part	Material	
		FIG.133.121/135.121	FIG.153.121/155.121
1	Body	1.0619N+13Cr	1.4408
2	Disk	1.4021	1.4401
4	Bolt	1.7225 (GC)	A4
5	Nut	1.1181(YK)	A4
7	Bolt	35	1.4571
8	Nut	35	A2
9	Gasket	35	1.4408
10	Handwheel	C10E	C10E
12	Yoke nut	0.7040	0.7040
15	Gland	1.0619N	1.4408
16	Packing gland	1.4021	1.4401
17	Packing	TA-Luft Packing	TA-Luft Packing
18	Bonnet	1.0619N	1.4408
19	Body seal	TA Luft Gasket	TA Luft Gasket
20	Stem	1.4021	1.4571
21	Disc nut	1.4301	1.4401
22	Nut	1.4006	1.4401
23	Cover	1.4006	1.4401
24	Spring	51CrV4	51CrV4
25	Gasket	1.4006	1.4401

Dimension List

PN	DN	L	D	D1	K	b	f	W	n	d1	H	Hub
16	65	290	185	122	145	18	3	180	4	18	310	15
	80	310	200	138	160	20	3	200	8	18	374	25
	100	350	220	158	180	20	3	225	8	18	377	25
16/40	15	130	95	45	65	16	2	120	4	14	232	6
	20	150	105	58	75	18	2	120	4	14	232	6
	25	160	115	68	85	18	2	140	4	14	245	8
	32	180	140	78	100	18	2	140	4	18	245	8
	40	200	150	88	110	18	3	160	4	18	295	15
40	50	230	165	102	125	20	3	160	4	18	295	15
	65	290	185	122	145	22	3	180	8	18	310	15
	80	310	200	138	160	24	3	200	8	18	374	25
	100	350	235	162	190	24	3	225	8	22	377	25

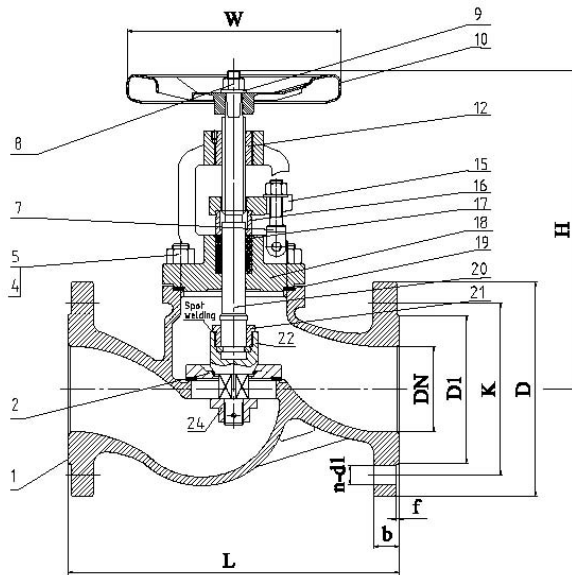
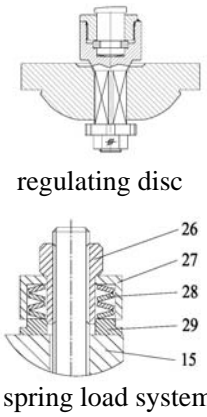


FIG.	Pressure	Material	Range
133.121	PN16	1.0619N	DN125-DN300
135.121	PN40	1.0619N	DN125-DN300
153.121	PN16	1.4408	DN125-DN300
155.121	PN40	1.4408	DN125-DN300



Design acc. : EN 13709
Face to face : EN558 G1
Flange end : EN1092-1
Test acc. : EN12266-1
TA-luft Packing
TA-Luft Gasket
Temperature range :
 -29°C to +425°C (1.0619N)
 -196°C to +600°C (1.4408)

Material List

NO.	Part	Material	
		FIG.133.121/135.121	FIG.153.121/155.121
1	Body	1.0619N+13Cr	1.4408
2	Disk	C25(forge)+13Cr	1.4401
4	Bolt	1.7225 (GC)	A4
5	Nut	1.1181 (YK)	A4
7	Bolt	35	1.4571
8	Nut	35	A2
9	Gasket	35	1.4408
10	Handwheel	C10E	C10E
12	Yoke nut	0.7040	0.7040
15	Gland	1.0619N	1.4408
16	Packing gland	1.4021	1.4401
17	Packing	TA-Luft Packing	TA-Luft Packing
18	Bonnet	1.0619N	1.4408
19	Gasket	TA-Luft Gasket	TA-Luft Gasket
20	Stem	1.4021	1.4571
21	Disc nut	1.4021	1.4401
22	Secondary disc	1.4021	1.4401
24	Nut	A2	A4
26	Nut	1.4006	1.4401
27	Cover	1.4006	1.4401
28	Spring	51CrV4	51CrV4
29	Gasket	1.4006	1.4401

Dimension List

PN	DN	L	D	D1	K	b	f	W	n	d1	H
16	125	400	250	188	210	22	3	225	8	18	448
	150	480	285	212	240	22	3	300	8	22	470
	200	600	340	268	295	24	3	400	12	22	570
	250	730	405	320	355	26	3	500	12	26	780
	300	850	460	378	410	28	4	550	12	26	890
	350	980	520	438	470	30	4	750	16	26	1010
40	125	400	270	188	220	26	3	225	8	26	448
	150	480	300	218	250	28	3	300	8	26	470
	200	600	375	285	320	34	3	400	12	30	570
	250	730	450	345	385	38	3	400	12	33	625
	300	850	515	410	450	42	4	-	16	33	-

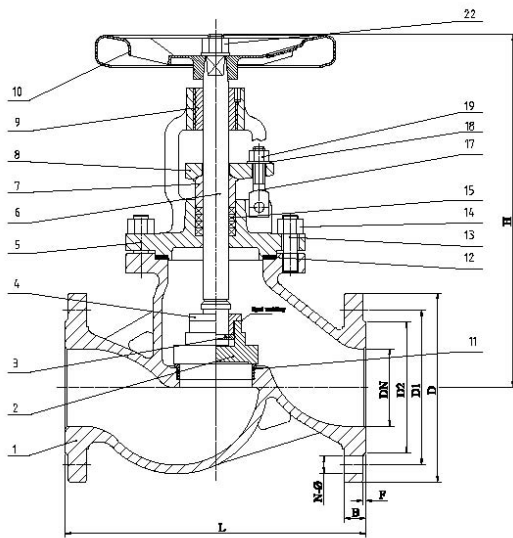
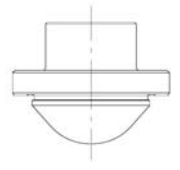
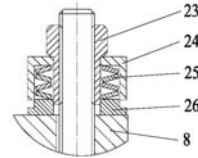


FIG.	Pressure	Material	Range
113.101	PN16	GG25	DN15-DN100
123.101	PN16	GGG40.3	DN15-DN100



regulating disc



spring load system

Design acc. : EN 13789
Face to face : EN558 G1
Flange end : EN1092-2
Test acc. : EN12266-1
TA-Luft Packing
TA-Luft Gasket
 Temperature range :
 -15°C ~ +200°C (GG)
 -30°C ~ +350°C (GGG)

Material List

NO.	Part	Material	
		FIG.113.101	FIG.123.101
1	Body	GG-25	GGG-40.3
2	Disk	1.4021	1.4021
3	Split ring	1.4021 (2Cr13)	1.4021 (2Cr13)
4	Disc screw	1.4021 (2Cr13)	1.4021 (2Cr13)
5	Bonnet	GG-25	GGG-40.3
6	Stem	1.4006 (1Cr13)	1.4006 (1Cr13)
7	Packing bushing	1.4021 (2Cr13)	1.4021 (2Cr13)
8	Gland	1.0619	1.0619
9	Stem nut	GGG-40.3	GGG-40.3
10	Hand wheel	C10E	C10E
11	Seat ring	1.4006 (1Cr13)	1.4006 (1Cr13)
12	Body seal	TA-Luft Gasket	TA-Luft Gasket
13	Bolt	1.7225 (GC)	1.7225 (GC)
14	Nut	1.1181 (YK)	1.1181 (YK)
15	Packing	TA-Luft Packing	TA-Luft Packing
17	Fork bolts	35CrMo	35CrMo
18	Gasket	Q215	Q215
19	Nut	45	45
22	Nut	C35N	C35N
23	Nut	1.4006	1.4006
24	Cover	1.4006	1.4006
25	Spring	51CrV4	51CrV4
26	Gasket	1.4006	1.4006

Dimension List

DN	PN16							H
	L	D	D1	D2	B	F	N-Φ	
15	130	95	65	45	14	2	4-Φ	202
20	150	105	75	58	16	2	4-14	202
25	160	115	85	68	16	2	4-14	210
32	180	140	100	78	18	2	4-18	210
40	200	150	110	88	18	3	4-18	230
50	230	165	125	102	20	3	4-18	230
65	290	185	145	122	20	3	4-18	245
80	310	200	160	138	22	3	8-18	265
100	350	220	180	158	24	3	8-18	350

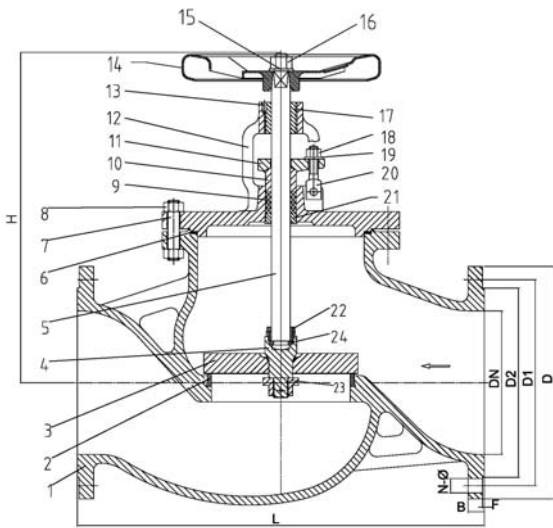
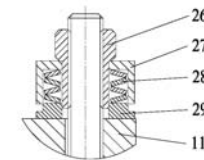
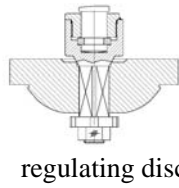


FIG.	Pressure	Material	Range
113.101	PN16	GG25	DN125-DN300
123.101	PN16	GGG40.3	DN125-DN300



Design acc. : EN 13789
Face to face : EN558 G1
Flange end : EN1092-2
Test acc. : EN12266-1
TA-Luft Packing
TA-Luft Gasket
 Temperature range :
 -15 °C ~ +200 °C (GG)
 -30 °C ~ +350 °C (GGG)

Material List

NO.	Part	Material	
		FIG.113.101	FIG.123.101
1	Body	GG-25	GGG-40.3
2	Seat ring	1.4006	1.4406
3	Disk	C25(forge)+13Cr	C25(forge)+13Cr
4	Secondary disc	1.4021	1.4021
5	Stem	1.4006	1.4006
6	Gasket	TA-Luft Gasket	TA-Luft Gasket
7	Bolt	1.7225 (GC)	1.7225 (GC)
8	Nut	1.1181 (YK)	1.1181 (YK)
9	Packing	TA-Luft Packing	TA-Luft Packing
10	Packing bushing	1.4021	1.4021
11	Gland	1.0619N	1.0619N
12	Bonnet	GG-25	GGG40.3
13	Screw	CK35	CK35
14	Handwheel	C10E	C10E
15	Gasket	C35N	C35N
16	Nut	C35N	C35N
17	Stem nut	GGG-40.3	GGG-40.3
20	Bolt	35CrMo	35CrMo
21	Back seal	1.4006	1.4006
22	Disc screw	1.4021	1.4021
23	Nut	1.4021	1.4021
24	Split ring	1.4021	1.4021
26	Nut	1.4006	1.4006
27	Cover	1.4006	1.4006
28	Spring	51CrV4	51CrV4
29	Gasket	1.4006	1.4006

Dimension List

DN	PN16							H
	L	D	D1	D2	B	F	N-Φ	
125	400	250	210	188	26	3	8-18	380
150	480	285	240	218	26	3	8-23	415
200	600	340	295	268	30	3	12-23	550
250	730	405	355	320	32	3	12-27	720
300	850	460	410	378	32	4	12-27	788

Edit: FengChunyan
 Suzhou Fleu valve Co.Ltd
 No.767 Huagang Road

Checking: WangHuanyu
 Tel : 0086 512 63430669
 Fax : 0086 512 63409789

Approved: ZWS

Date: 19.Apr.2017

E-mail : szsales@fleu-valve.com
 http : //www.fleu-valve.com

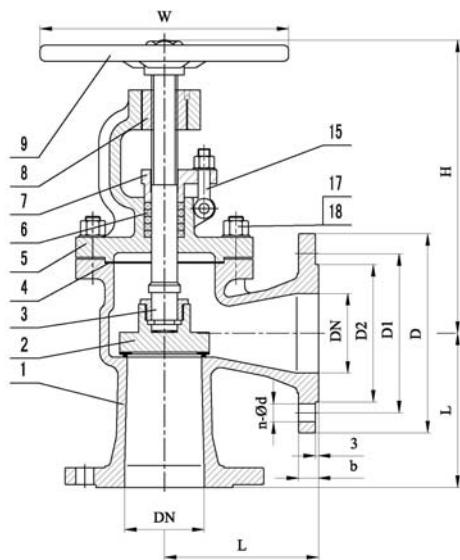
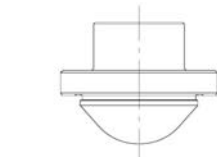
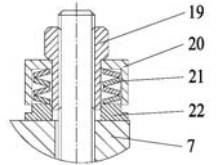


FIG.	Pressure	Material	Range
132.125	PN10	1.0619N	DN15-DN300
152.125	PN10	1.4408	DN15-DN300



regulating disc



spring load system

Design acc. : EN13709
Face to face : EN558
Flange end : EN1092-1
Test acc. : EN12266-1
TA-Luft Packing
TA-Luft Gasket
Temperature range :
-29°C to +425°C (1.0619N)
-196°C to +600°C (1.4408)

Material List

NO.	Part	Material	
		FIG.132.125	FIG.152.125
1	Body	1.0619N+13Cr	1.4408
2	Disk	1.4021	1.4401
3	Stem	1.4021	1.4571
4	Gasket	TA-Luft Gasket	TA-Luft Gasket
5	Bonnet	1.0619N	1.4408
6	Packing	TA-Luft Packing	TA-Luft Packing
7	Gland	1.0619N	1.4408
8	Yoke nut	0.7040	0.7040
9	Handwheel	Carbon steel	Carbon steel
15	Eyebolt	1.7225(GC)	A4
17	Bolt	1.7225(GC)	A4
18	Nut	1.1181(YK)	A4
19	Nut	1.4006	1.4401
20	Cover	1.4006	1.4401
21	Spring	51CrV4	51CrV4
22	Gasket	1.4006	1.4401

Dimension List

PN	DN	L	D	D1	D2	b	n - Φd	H (OPEN)	W
10	15	90	95	65	45	16	4 - 14	175	140
	20	95	105	75	58	18	4 - 14	190	140
	25	100	115	85	68	18	4 - 14	220	160
	32	105	140	100	78	18	4 - 18	225	160
	40	115	150	110	88	18	4 - 18	250	180
	50	125	165	125	102	18	4 - 18	265	180
	65	145	185	145	122	18	4 - 18	290	200
	80	155	200	160	138	20	8 - 18	320	250
	100	175	220	180	158	20	8 - 18	360	300
	125	200	250	210	188	22	8 - 18	415	350
	150	225	285	240	212	22	8 - 22	455	400
	200	275	340	295	268	24	8 - 22	630	500
	250	325	395	350	320	26	12 - 22	750	500
300	375	445	400	370	26	12 - 22	800	500	

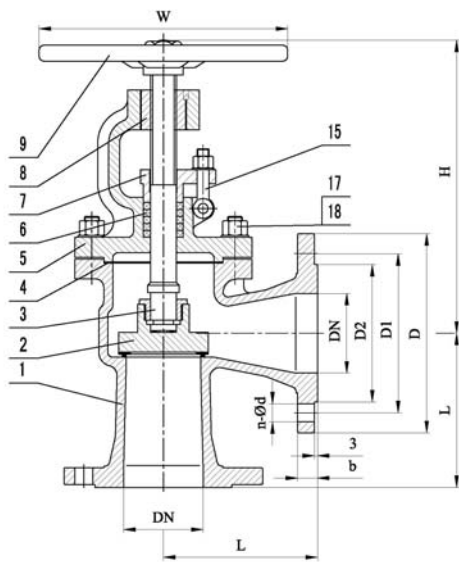
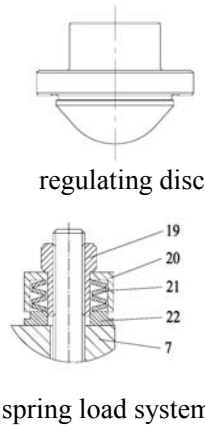


FIG.	Pressure	Material	Range
133.125	PN16	1.0619N	DN15-DN300
153.125	PN16	1.4408	DN15-DN300



Design acc. : EN13709
Face to face : EN558
Flange end : EN1092-1
Test acc. : EN12266-1
TA-Luft Packing
TA-Luft Gasket
Temperature range :
 -29°C to +425°C (1.0619N)
 -196°C to +600°C (1.4408)

Material List

NO.	Part	Material	
		FIG.133.125	FIG.153.125
1	Body	1.0619N+13Cr	1.4408
2	Disk	1.4021	1.4401
3	Stem	1.4021	1.4571
4	Gasket	TA-Luft Gasket	TA-Luft Gasket
5	Bonnet	1.0619N	1.4408
6	Packing	TA-Luft Packing	TA-Luft Packing
7	Gland	1.0619N	1.4408
8	Yoke nut	0.7040	0.7040
9	Handwheel	Carbon steel	Carbon steel
15	Eyebolt	1.7225(GC)	A4
17	Bolt	1.7225(GC)	A4
18	Nut	1.1181(YK)	A4
19	Nut	1.4006	1.4401
20	Cover	1.4006	1.4401
21	Spring	51CrV4	51CrV4
22	Gasket	1.4006	1.4401

Dimension List

PN	DN	L	D	D1	D2	b	n - Ød	H (OPEN)	W
16	15	90	95	65	45	16	4 - 14	175	140
	20	95	105	75	58	18	4 - 14	190	140
	25	100	115	85	68	18	4 - 14	220	160
	32	105	140	100	78	18	4 - 18	225	160
	40	115	150	110	88	18	4 - 18	250	180
	50	125	165	125	102	18	4 - 18	265	180
	65	145	185	145	122	18	4 - 18	290	200
	80	155	200	160	138	20	8 - 18	320	250
	100	175	220	180	158	20	8 - 18	360	300
	125	200	250	210	188	22	8 - 18	415	350
	150	225	285	240	212	22	8 - 22	455	400
	200	275	340	295	268	24	12 - 22	630	500
	250	325	405	355	320	26	12 - 26	750	500
300	375	460	410	378	28	12 - 26	800	500	

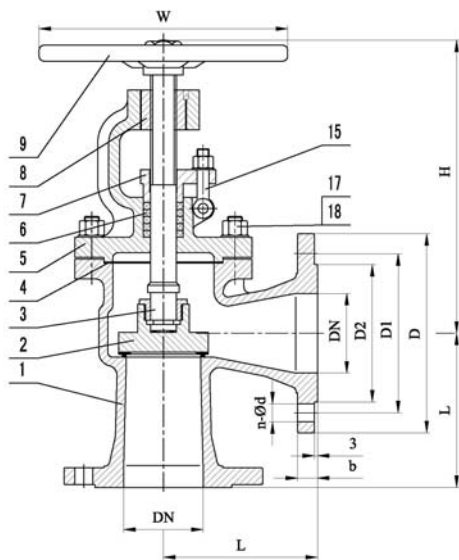
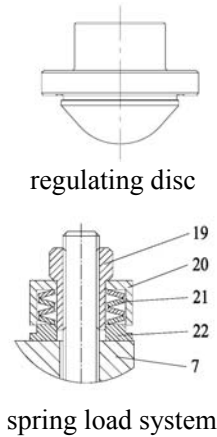


FIG.	Pressure	Material	Range
134.125	PN25	1.0619N	DN15-DN300
154.125	PN25	1.4408	DN15-DN300



Design acc. : EN13709
Face to face : EN558
Flange end : EN1092-1
Test acc. : EN12266-1
TA-Luft Packing
TA-Luft Gasket
Temperature range :
-29°C to +425°C (1.0619N)
-196°C to +600°C (1.4408)

Material List

NO.	Part	Material	
		FIG.134.125	FIG.154.125
1	Body	1.0619N+13Cr	1.4408
2	Disk	1.4021	1.4401
3	Stem	1.4021	1.4571
4	Gasket	TA-Luft Gasket	TA-Luft Gasket
5	Bonnet	1.0619N	1.4408
6	Packing	TA-Luft Packing	TA-Luft Packing
7	Gland	1.0619N	1.4408
8	Yoke nut	0.7040	0.7040
9	Handwheel	Carbon steel	Carbon steel
15	Eyebolt	1.7225(GC)	A4
17	Bolt	1.7225(GC)	A4
18	Nut	1.1181(YK)	A4
19	Nut	1.4006	1.4401
20	Cover	1.4006	1.4401
21	Spring	51CrV4	51CrV4
22	Gasket	1.4006	1.4401

Dimension List

PN	DN	L	D	D1	D2	b	n - Ød	H (OPEN)	W
25	15	90	95	65	45	16	4 - 14	175	140
	20	95	105	75	58	18	4 - 14	190	140
	25	100	115	85	68	18	4 - 14	220	160
	32	105	140	100	78	18	4 - 18	225	160
	40	115	150	110	88	18	4 - 18	250	180
	50	125	165	125	102	20	4 - 18	265	180
	65	145	185	145	122	22	8 - 18	290	200
	80	155	200	160	138	24	8 - 18	320	250
	100	175	235	190	162	24	8 - 22	360	300
	125	200	270	220	188	26	8 - 26	415	350
	150	225	300	250	218	28	8 - 26	455	400
	200	275	360	310	278	30	12 - 26	630	500
250	325	425	370	335	32	12 - 30	750	500	
300	375	485	430	395	34	16 - 30	800	500	

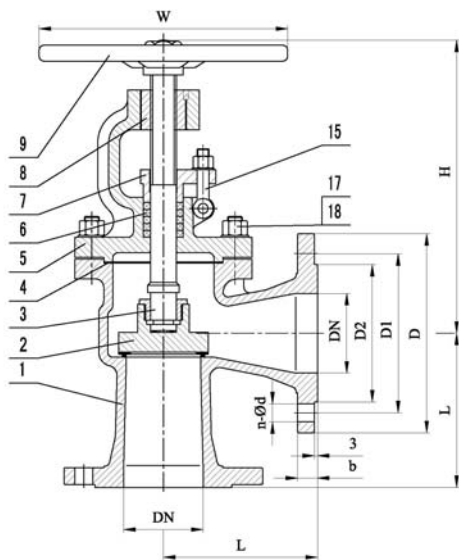
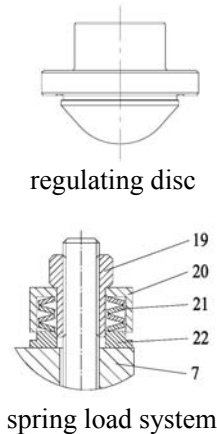


FIG.	Pressure	Material	Range
135.125	PN40	1.0619N	DN15-DN300
155.125	PN40	1.4408	DN15-DN300



Design acc. : EN13709
Face to face : EN558
Flange end : EN1092-1
Test acc. : EN12266-1
TA-Luft Packing
TA-Luft Gasket
Temperature range :
-29°C to +425°C (1.0619N)
-196°C to +600°C (1.4408)

Material List

NO.	Part	Material	
		FIG.135.125	FIG.155.125
1	Body	1.0619N+13Cr	1.4408
2	Disk	1.4021	1.4401
3	Stem	1.4021	1.4571
4	Gasket	TA-Luft Gasket	TA-Luft Gasket
5	Bonnet	1.0619N	1.4408
6	Packing	TA-Luft Packing	TA-Luft Packing
7	Gland	1.0619N	1.4408
8	Yoke nut	0.7040	0.7040
9	Handwheel	Carbon steel	Carbon steel
15	Eyebolt	1.7225(GC)	A4
17	Bolt	1.7225(GC)	A4
18	Nut	1.1181(YK)	A4
19	Nut	1.4006	1.4401
20	Cover	1.4006	1.4401
21	Spring	51CrV4	51CrV4
22	Gasket	1.4006	1.4401

Dimension List

PN	DN	L	D	D1	D2	b	n - Φd	H (OPEN)	W
40	15	90	95	65	45	16	4 - 14	175	140
	20	95	105	75	58	18	4 - 14	190	140
	25	100	115	85	68	18	4 - 14	220	160
	32	105	140	100	78	18	4 - 18	225	160
	40	115	150	110	88	18	4 - 18	250	180
	50	125	165	125	102	20	4 - 18	265	180
	65	145	185	145	122	22	8 - 18	290	200
	80	155	200	160	138	24	8 - 18	320	250
	100	175	235	190	162	24	8 - 22	360	300
	125	200	270	220	188	26	8 - 26	415	350
	150	225	300	250	218	28	8 - 26	455	400
	200	275	375	320	285	34	12 - 30	630	500
	250	325	450	385	345	38	12 - 33	750	500
300	375	515	450	410	42	16 - 33	800	500	