

Design acc. : EN 1984.
Face to face : EN558-1 Ser.14
Flange end : EN1092-1.
Test acc. : EN12266-1.
TA-Luft Gasket
TA-Luft Packing
 Temperature range :
 -29°C~ +425°C(1.0619N)
 -196°C~ +600°C(1.4408)
Body : 1.0619N / 1.4408

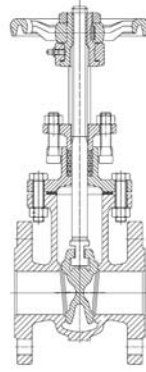


FIG : 052

FIG : 052

Page 1 - 2

Design acc. : EN 1171.
Face to face : EN558-1 Ser.14
Flange end : EN1092-2.
Test acc. : EN12266-1.
TA-Luft Gasket
TA-Luft Packing
 Temperature range :
 -15°C~ +200°C(GG)
 -30°C~ +350°C(GGG)
Body : GG25 / GGG40

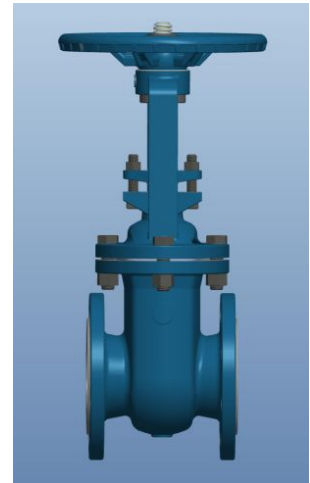
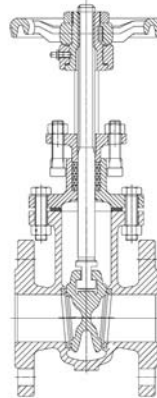


FIG : 053

FIG : 053

Page 3 - 4

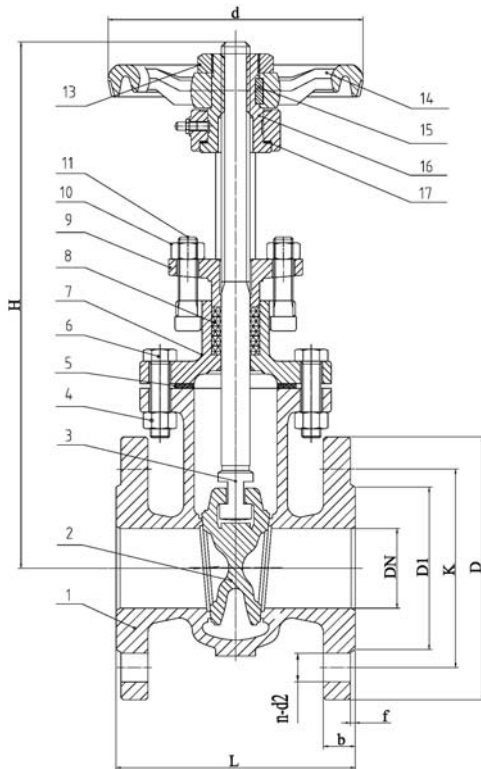


FIG.	Pressure	Material	Range
133.052	PN16	1.0619N	DN50-DN150
153.052	PN16	1.4408	DN50-DN150

Design acc. : EN 1984.
Face to face : EN558-1 Ser.14
Flange end : EN1092-1.
Test acc. : EN12266-1.
TA-Luft Gasket
TA-Luft Packing
Temperature range :
-29°C ~ +425°C (1.0619N)
-196°C ~ +600°C (1.4408)

Material list

NO.	Part	Material	
		FIG. 152.052 / 153.052	FIG.132.052 / 133.052
1	Body	1.4408	1.0619N+13Cr
2	Wedge	1.4408	1.0619N+13Cr
3	Stem	1.4401	1.4006
4	Nut	A4	1.1181(YK)
5	Body seal	TA-Luft Gasket	TA-Luft Gasket
6	Bolts	A4	1.7225(GC)
7	Bonnet	1.4408	1.0619N
8	Packing	TA-Luft Packing	TA-Luft Packing
9	Gland flange	1.4408	1.0619N
10	Nut	A4	1.1181(YK)
11	T-bolt	A4	1.7225(YK)
13	Lock nut	1.4401	1.4021
14	Handwheel	GGG-40	GGG-40
15	Key	1.1191	1.1191
16	Stem nut	GGG-40	GGG-40
17	Friction washer	1.4401	1.4021

Dimension List

PN	DN	L	D	K	D1	f	b	n	d2	H	d	kg
16	50	150	165	125	102	3	18	4	18	325	160	16.0
	65	170	185	145	122	3	18	4	18	375	200	20.5
	80	180	200	160	138	3	20	8	18	420	200	28.0
	100	190	220	180	158	3	20	8	18	470	200	33.0
	125	200	250	210	188	3	22	8	18	535	250	47.5
	150	210	285	240	212	3	22	8	22	600	315	62.5

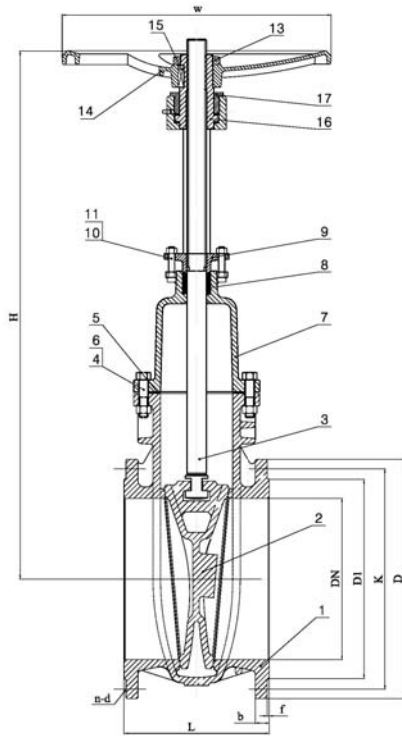


FIG.	Pressure	Material	Range
132.052	PN10	1.0619N	DN200-DN300
152.052	PN10	1.4408	DN200-DN300

Design acc. : EN 1984.
Face to face : EN558-1 Ser.14
Flange end : EN1092-1.
Test acc. : EN12266-1.
TA-Luft Gasket
TA-Luft Packing
Temperature range :
-29°C ~ +425°C (1.0619N)
-196°C ~ +600°C (1.4408)

Material list

NO.	Part	Material	
		FIG. 152.052 / 153.052	FIG.132.052 / 133.052
1	Body	1.4408	1.0619N+13Cr
2	Wedge	1.4408	1.0619N+13Cr
3	Stem	1.4401	1.4006
4	Nut	A4	1.1181(YK)
5	Body seal	TA-Luft Gasket	TA-Luft Gasket
6	Bolts	A4	1.7225(GC)
7	Bonnet	1.4408	1.0619N
8	Packing	TA-Luft Packing	TA-Luft Packing
9	Gland flange	1.4408	1.0619N
10	Nut	A4	1.1181(YK)
11	T-bolt	A4	1.7225(GC)
13	Lock nut	1.4401	1.4021
14	Handwheel	GGG-40	GGG-40
15	Key	1.1191	1.1191
16	Stem nut	GGG-40	GGG-40
17	Gland nut	1.4021	1.1181

Dimension List

PN	DN	L	D	K	D1	f	b	n	d	H	W	kg
10	200	230	340	295	268	3	24	8	22	710	315	91.0
	250	250	395	350	320	3	26	12	22	850	400	131.5
	300	270	445	400	370	4	26	12	22	990	500	176.0

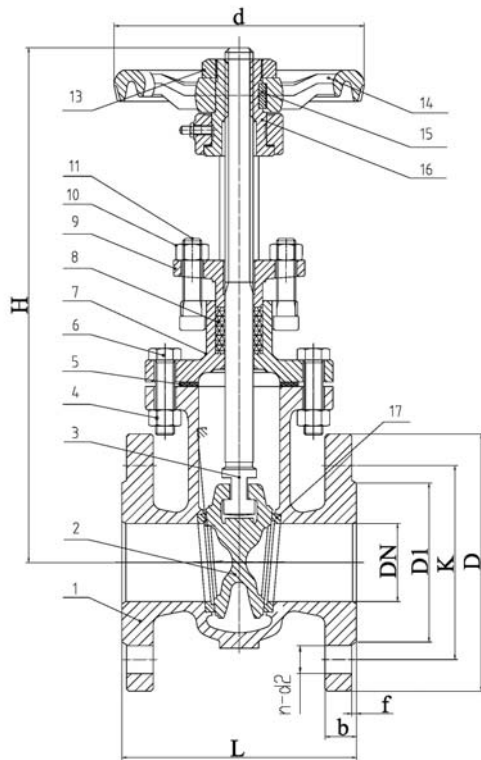


FIG.	Pressure	Material	Range
113.053	PN16	GG25	DN50-DN150
123.053	PN16	GGG40.3	DN50-DN150

Design acc. : EN 1171.

Face to face : EN558-1 Ser.14

Flange end : EN1092-2.

Test acc. : EN12266-1.

TA-Luft Gasket

TA-Luft Packing

Temperature range :

-15°C ~ +200°C (GG)

-30°C ~ +350°C (GGG)

Material list

NO.	Part	Material	
		FIG. 123.053	FIG.113.053
1	Body	GGG40.3	GG25
2	Wedge	1.4021	1.4021
3	Stem	1.4006	1.4006
4	Nut	1.1181(YK)	1.1181(YK)
5	Body seal	TA-Luft Gasket	TA-Luft Gasket
6	Bolts	1.7225(GC)	1.7225(GC)
7	Bonnet	GGG40.3	GG25
8	Packing	TA-Luft Packing	TA-Luft Packing
9	Gland flange	GGG40.3	GG25
10	Nut	1.1181(YK)	1.1181(YK)
11	T-bolt	1.7225(GC)	1.7225(GC)
13	Lock nut	CK35	CK35
14	Handwheel	GGG-40	GGG-40
15	Key	1.1191	1.1191
16	Stem nut	GGG-40	GGG-40
17	Seat	1.4006	1.4006

Dimension List

PN	DN	L	D	K	D1	f	b	n	d2	H	d	kg
16	50	150	165	125	102	3	20	4	18	325	160	16.0
	65	170	185	145	122	3	20	4	18	375	200	20.5
	80	180	200	160	138	3	22	8	18	420	200	28.0
	100	190	220	180	158	3	24	8	18	470	200	33.0
	125	200	250	210	188	3	26	8	18	535	250	47.5
	150	210	285	240	212	3	26	8	22	600	315	62.5

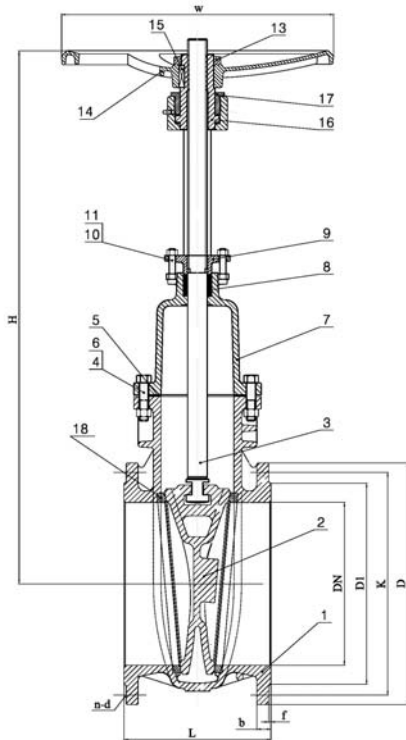


FIG.	Pressure	Material	Range
112.053	PN10	GG25	DN200-DN300
122.053	PN10	GGG40.3	DN200-DN300

Design acc. : EN 1171.

Face to face : EN558-1 Ser.14

Flange end : EN1092-2.

Test acc. : EN12266-1.

TA-Luft Gasket

TA-Luft Packing

Temperature range :

-15°C ~ +200°C (GG)

-30°C ~ +350°C (GGG)

Material list

NO.	Part	Material	
		FIG. 122.053	FIG.112.053
1	Body	GGG40.3	GG25
2	Wedge	1.4021	1.4021
3	Stem	1.4006	1.4006
4	Nut	1.1181(YK)	1.1181(YK)
5	Body seal	TA-Luft Gasket	TA-Luft Gasket
6	Bolts	1.7225(GC)	1.7225(GC)
7	Bonnet	GGG40.3	GG25
8	Packing	TA-Luft Packing	TA-Luft Packing
9	Gland flange	GGG40.3	GG25
10	Nut	1.1181(YK)	1.1181(YK)
11	T-bolt	1.7225(GC)	1.7225(GC)
13	Lock nut	CK35	CK35
14	Handwheel	GGG-40	GGG-40
15	Key	1.1191	1.1191
16	Stem nut	GGG-40	GGG-40
17	Gland nut	CK35	CK35
18	Seat	1.4006	1.4006

Dimension List

PN	DN	L	D	K	D1	f	b	n	d	H	W	kg
10	200	230	340	295	268	3	26	8	22	710	315	91.0
	250	250	395	350	320	3	28	12	26	850	400	131.5
	300	270	445	400	370	4	28	12	26	990	500	176.0