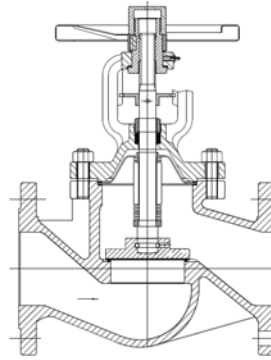
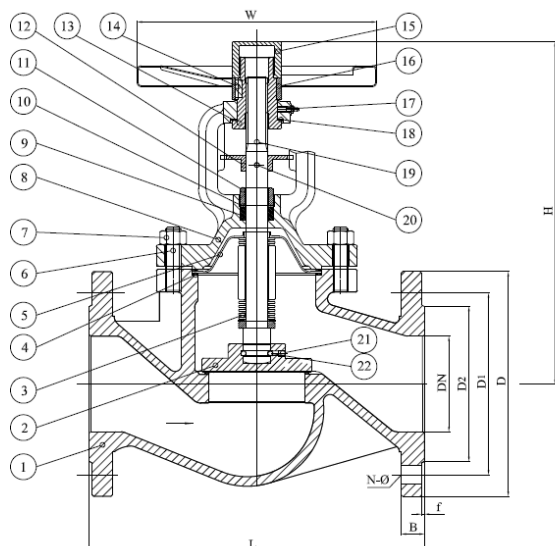


Maintenance-free
Design acc. : EN 13709
Face to face : EN558-1
Flange end : EN1092-1.
Test acc. : EN12266
Temperature range :
-10°C~ +400°C (CS)
-10°C~ +600°C (SS)
Body : 1.0619N /1.4408

**FIG :114****Page 1 - 3****FIG : 114**



| FIG. | Pressure | Material | Range |
|---------|----------|----------|------------|
| 133.114 | PN16 | 1.0619N | DN15-DN100 |
| 135.114 | PN40 | 1.0619N | DN15-DN100 |
| 153.114 | PN16 | 1.4408 | DN15-DN100 |
| 155.114 | PN40 | 1.4408 | DN15-DN100 |

Design acc. : EN 13709
Face to face : EN558-1
Flange end : EN1092-1
Test acc. : EN12266-1
 Temperature range :
 -10°C ~ +400°C (CS)
 -10°C ~ +600°C (SS)

Material List

| NO. | Part | Material | |
|-----|-----------------|-----------------------|-----------------------|
| | | FIG.153.114 / 155.114 | FIG.133.114 / 135.114 |
| 1 | Body | 1.4408 | 1.0619N+13Cr |
| 2 | Disk | 1.4401 | 1.4021 |
| 3 | Bellows | 1.4401 | 1.4301 |
| 4 | Body seal | Graphite +1.4401 | Graphite +1.4301 |
| 5 | Cap | 1.4401 | 1.4301 |
| 6 | Bolt | A4 | 1.7258 (G) |
| 7 | Nut | A4 | 1.1181 (YK) |
| 8 | Bonnet | 1.4408 | 1.0619N |
| 9 | Packing | Graphite | Graphite |
| 10 | Gasket | 1.4401 | 1.4006 |
| 11 | Packing bushing | 1.4408 | 1.0619N |
| 12 | Locking block | 1.4308 | 35 |
| 13 | Stem nut | GGG-40 | GGG-40 |
| 14 | Key | 35 | 35 |
| 15 | Lock nut | 1.4308 | CK22 |
| 16 | Handwheel | C10E | C10E |
| 17 | Nozzle | Cu-alloy | Cu-alloy |
| 18 | Gasket | 1.4021 | 1.4021 |
| 19 | Stem | 1.4401 | 1.4006 |
| 20 | Pin | 1.4401 | 65Mn |
| 21 | Screw | 1.4401 | 1.4401 |
| 22 | Ball | 1.4401 | 1.4401 |

Dimension List

| PN | DN | L | D | D2 | D1 | B | f | w | n | Φ | H |
|-------|-----|-----|-----|-----|-----|----|---|-----|---|----|---|
| 16 | 65 | 290 | 185 | 122 | 145 | 18 | 3 | 180 | 4 | 18 | |
| | 80 | 310 | 200 | 138 | 160 | 20 | 3 | 200 | 8 | 18 | |
| | 100 | 350 | 220 | 158 | 180 | 20 | 3 | 250 | 8 | 18 | |
| 16/40 | 15 | 130 | 95 | 45 | 65 | 16 | 2 | 120 | 4 | 14 | |
| | 20 | 150 | 105 | 58 | 75 | 18 | 2 | 140 | 4 | 14 | |
| | 25 | 160 | 115 | 68 | 85 | 18 | 2 | 140 | 4 | 14 | |
| | 32 | 180 | 140 | 78 | 100 | 18 | 2 | 140 | 4 | 18 | |
| | 40 | 200 | 150 | 88 | 110 | 18 | 3 | 160 | 4 | 18 | |
| | 50 | 230 | 165 | 102 | 125 | 20 | 3 | 160 | 4 | 18 | |
| 40 | 65 | 290 | 185 | 122 | 145 | 22 | 3 | 180 | 8 | 18 | |
| | 80 | 310 | 200 | 138 | 160 | 24 | 3 | 200 | 8 | 18 | |
| | 100 | 350 | 235 | 162 | 190 | 24 | 3 | 250 | 8 | 22 | |

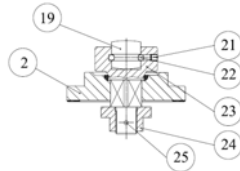
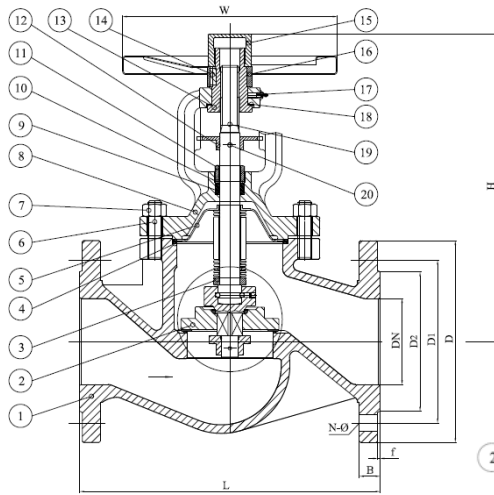
Edit: FengChunyan
 Suzhou Fleu valve Co.Ltd
 No.767 Huagang Road

Checking: WangHuanyu
 Tel : 0086 512 63430669
 Fax : 0086 512 63409789

Approved: ZWS

Date: 24.May.2016

E-mail : szsales@fleu-valve.com
 http : //www.fleu-valve.com



| FIG. | Pressure | Material | Range |
|---------|----------|----------|-------------|
| 133.114 | PN16 | 1.0619N | DN125-DN400 |
| 153.114 | PN16 | 1.4408 | DN125-DN400 |

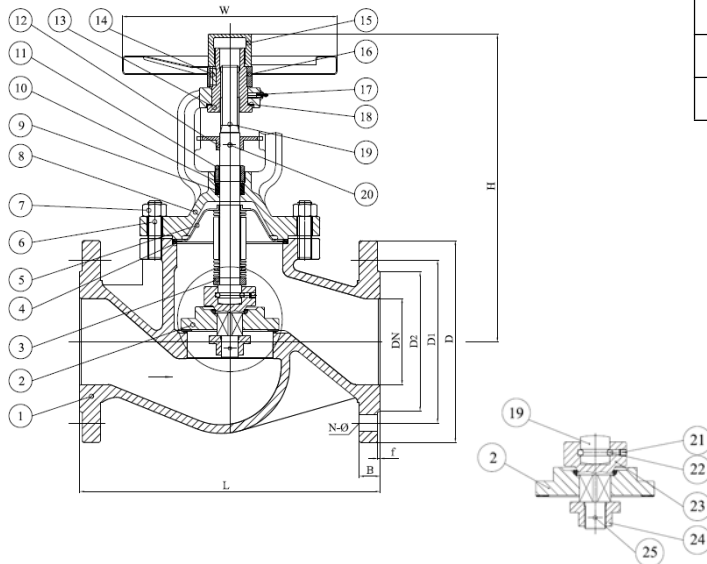
Design acc. : EN 13709
Face to face : EN558-1
Flange end : EN1092-1
Test acc. : EN12266-1
 Temperature range :
 -10°C ~ +400°C (CS)
 -10°C ~ +600°C (SS)

Material List

| NO. | Part | Material | |
|-----|-----------------|------------------|------------------|
| | | FIG.153.114 | FIG.133.114 |
| 1 | Body | 1.4408 | 1.0619N+13Cr |
| 2 | Disk | 1.4401 | CS+13Cr |
| 3 | Bellows | 1.4401 | 1.4301 |
| 4 | Body seal | Graphite +1.4401 | Graphite +1.4301 |
| 5 | Cap | 1.4401 | 1.4301 |
| 6 | Bolt | A4 | 1.7258 (G) |
| 7 | Nut | A4 | 1.1181 (YK) |
| 8 | Bonnet | 1.4408 | 1.0619N |
| 9 | Packing | Graphite | Graphite |
| 10 | Gasket | 1.4401 | 1.4006 |
| 11 | Packing bushing | 1.4408 | 1.0619N |
| 12 | Locking block | 1.4308 | 35 |
| 13 | Stem nut | GGG-40 | GGG-40 |
| 14 | Key | 35 | 35 |
| 15 | Lock nut | 1.4308 | CK22 |
| 16 | Handwheel | C10E | C10E |
| 17 | Nozzle | Cu-alloy | Cu-alloy |
| 18 | Gasket | 1.4021 | 1.4021 |
| 19 | Stem | 1.4401 | 1.4006 |
| 20 | Pin | 1.4401 | 65Mn |
| 21 | Screw | 1.4401 | 1.4401 |
| 22 | Ball | 1.4401 | 1.4401 |
| 23 | Secondary disc | 1.4401 | 1.4021 |
| 24 | Nut | A4 | A2 |
| 25 | Pin | 1.4401 | 1.4301 |

Dimension List

| PN | DN | L | D | D2 | D1 | B | f | N | Φ | H |
|----|-----|------|-----|-----|-----|----|---|----|----|---|
| 16 | 125 | 400 | 250 | 188 | 210 | 22 | 3 | 8 | 18 | |
| | 150 | 480 | 285 | 240 | 212 | 22 | 3 | 8 | 22 | |
| | 200 | 600 | 340 | 295 | 268 | 24 | 3 | 12 | 22 | |
| | 250 | 730 | 405 | 355 | 320 | 26 | 3 | 12 | 26 | |
| | 300 | 850 | 460 | 410 | 378 | 28 | 4 | 12 | 26 | |
| | 350 | 980 | 520 | 470 | 438 | 30 | 4 | 16 | 26 | |
| | 400 | 1100 | 580 | 525 | 490 | 32 | 4 | 16 | 30 | |



| FIG. | Pressure | Material | Range |
|---------|----------|----------|-------------|
| 135.114 | PN40 | 1.0619N | DN125-DN400 |
| 155.114 | PN40 | 1.4408 | DN125-DN400 |

Design acc. : EN 13709
Face to face : EN558-1
Flange end : EN1092-1
Test acc. : EN12266-1
 Temperature range :
 -10°C ~ +400°C (CS)
 -10°C ~ +600°C (SS)

Material List

| NO. | Part | Material | |
|-----|-----------------|------------------|------------------|
| | | FIG. 155.114 | FIG.135.114 |
| 1 | Body | 1.4408 | 1.0619N+13Cr |
| 2 | Disk | 1.4401 | CS+13Cr |
| 3 | Bellows | 1.4401 | 1.4301 |
| 4 | Body seal | Graphite +1.4401 | Graphite +1.4301 |
| 5 | Cap | 1.4401 | 1.4301 |
| 6 | Bolt | A4 | 1.7258 (G) |
| 7 | Nut | A4 | 1.1181 (YK) |
| 8 | Bonnet | 1.4408 | 1.0619N |
| 9 | Packing | Graphite | Graphite |
| 10 | Gasket | 1.4401 | 1.4006 |
| 11 | Packing bushing | 1.4408 | 1.0619N |
| 12 | Locking block | 1.4308 | 35 |
| 13 | Stem nut | GGG-40 | GGG-40 |
| 14 | Key | 35 | 35 |
| 15 | Lock nut | 1.4308 | CK22 |
| 16 | Handwheel | C10E | C10E |
| 17 | Nozzle | Cu-alloy | Cu-alloy |
| 18 | Gasket | 1.4021 | 1.4021 |
| 19 | Stem | 1.4401 | 1.4006 |
| 20 | Pin | 1.4401 | 65Mn |
| 21 | Screw | 1.4401 | 1.4401 |
| 22 | Ball | 1.4401 | 1.4401 |
| 23 | Secondary disc | 1.4401 | 1.4021 |
| 24 | Nut | A4 | A2 |
| 25 | Pin | 1.4401 | 1.4301 |

Dimension List

| PN | DN | L | D | D2 | D1 | B | f | N | Φ | H |
|----|-----|------|-----|-----|-----|----|---|----|----|---|
| 40 | 125 | 400 | 270 | 188 | 220 | 26 | 3 | 8 | 26 | |
| | 150 | 480 | 300 | 250 | 218 | 28 | 3 | 8 | 26 | |
| | 200 | 600 | 375 | 320 | 285 | 34 | 3 | 12 | 30 | |
| | 250 | 730 | 450 | 385 | 345 | 38 | 3 | 12 | 33 | |
| | 300 | 850 | 515 | 450 | 410 | 42 | 4 | 16 | 33 | |
| | 350 | 980 | 580 | 510 | 465 | 46 | 4 | 16 | 36 | |
| | 400 | 1100 | 660 | 585 | 535 | 50 | 4 | 16 | 39 | |