

Maintenance-free

Design acc. : EN 13789

Face to face : EN558

Flange end : EN1092-2.

Test acc. : EN12266

Temperature range :

-15°C~ +200°C(GG)

-30°C~ +350°C(GGG)

Body : GG25/GGG40.3

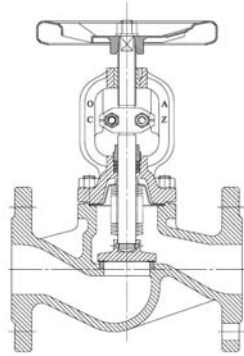


FIG : 115

FIG : 115

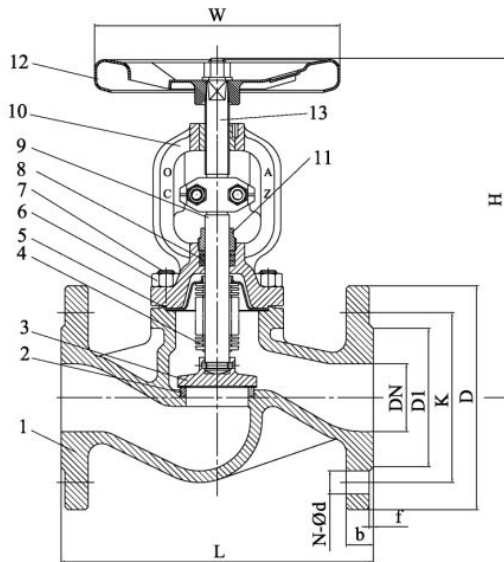


FIG.	Pressure	Material	Range
113.115	PN16	GG25	DN15-DN100
123.115	PN16	GGG40.3	DN15-DN100

Design acc. : EN13789
Face to face : EN558-1 G1
Flange end : EN1092-2
Test acc. : EN12266-1
Temperature range :
 -15°C ~ +200°C (GG)
 -30°C ~ +350°C (GGG)

Material List

NO.	Part	Material	
		FIG.113.115	FIG.123.115
1	Body	GG25	GGG40.3
2	Seat	1.4006	1.4006
3	Plug	1.4021	1.4021
4	Bellow	1.4301	1.4301
5	Gasket	1.4301+Graphite	1.4301+Graphite
6	Nut	C35N	C35N
7	Bolt	CK35	CK35
8	Packing	Graphite	Graphite
9	Stem	1.4006	1.4006
10	Adapter	GG25	GGG40.3
11	Packing bushing	1.0619N	1.0619N
12	Handwheel	C10E	C10E
13	Stem	1.4006	1.4006

Dimension List

DN	PN16								H	KV
	L	D	D1	K	b	f	n	d		
15	130	95	45	65	14	2	4	14	202	4.2
20	150	105	58	75	16	2	4	14	202	7.4
25	160	115	68	85	16	2	4	14	210	12
32	180	140	78	100	18	2	4	18	210	19
40	200	150	88	110	18	3	4	18	230	30
50	230	165	102	125	20	3	4	18	230	47
65	290	185	122	145	20	3	4	18	245	77
80	310	200	138	160	22	3	8	18	265	120
100	350	220	158	180	24	3	8	18	350	188

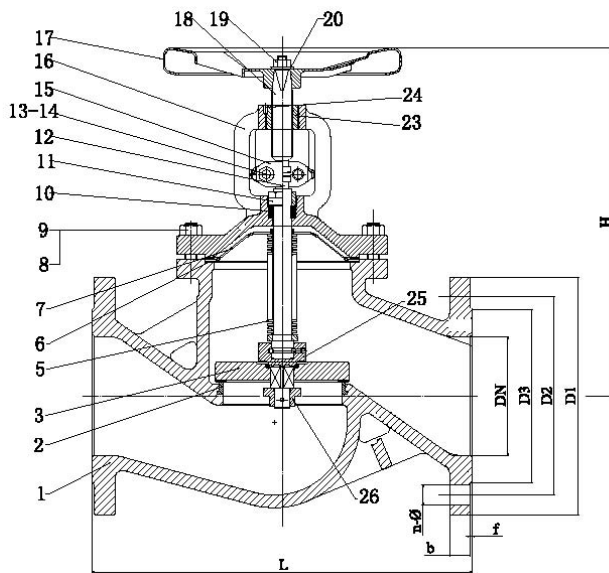


FIG.	Pressure	Material	Range
113.115	PN16	GG25	DN125-DN300
123.115	PN16	GGG40.3	DN125-DN300

Design acc. : EN13789
Face to face : EN558 G1
Flange end : EN1092-2
Test acc. : EN12266-1
Temperature range :
 -15°C ~ +200°C (GG)
 -30°C ~ +350°C (GGG)

Material List

NO.	Part	Material	
		FIG.113.115	FIG.123.115
1	Body	GG25	GGG40.3
2	Seat	1.4006	1.4006
3	Plug	C25+13Cr	C25+13Cr
5	Bellow	1.4301	1.4301
6	Body seal	1.4301+Graphite	1.4301+Graphite
7	Cap	1.4006	1.4006
8	Nut	C35N	C35N
9	Bolt	CK35	CK35
10	Packing	Graphite	Graphite
11	Packing bushing	1.0619N	1.0619N
12	Low stem	1.4006	1.4006
13	Nut	C35N	C35N
14	Bolt	CK35	CK35
15	Connecting block	1.4006	1.4006
16	Bonnet	GG25	GGG40.3
17	Handwheel	C10E	C10E
18	Up stem	1.4006	1.4006
19	Nut	C35N	C35N
20	Gasket	C35N	C35N
23	Stem nut	GGG40.3	GGG40.3
24	Pin	CK35	CK35
25	Secondary disc	1.4021	1.4021
26	Nut	1.4021	1.4021

Dimension List

DN	PN16								H	KV
	L	D1	D3	D2	b	f	n	φ		
125	400	250	188	210	26	3	8	18	380	288
150	480	285	212	240	26	3	8	23	415	410
200	600	340	268	295	30	3	12	23	550	---
250	730	405	320	355	32	3	12	27	720	---
300	850	460	378	410	32	4	12	27	788	---

Edit: FengChunyan
 Suzhou Fleu valve Co.Ltd
 No.767 Huagang Road

Checking: WangHuanyu
 Tel : 0086 512 63430669
 Fax : 0086 512 63409789

Approved: ZWS

Date: 19.Jan.2016

E-mail : szsales@fleu-valve.com
 http : //www.fleu-valve.com