

Maintenance-free
Design acc. : EN13709
Face to face : EN558
Flange end : EN1092-1.
Test acc. : EN12266
Body : 1.0619N /1.4408

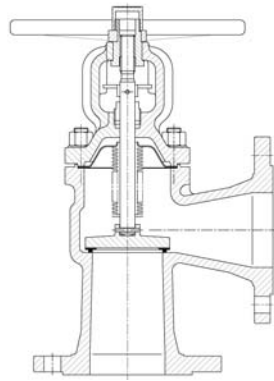


FIG :116

Page 1 - 4



FIG :116

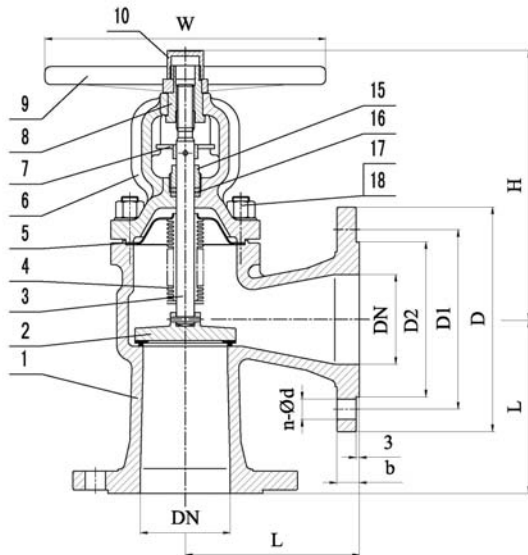


FIG.	Pressure	Material	Range
132.116	PN10	1.0619N	DN15-DN300
152.116	PN10	1.4408	DN15-DN300

Design acc. : EN13709
Face to face : EN558
Flange end : EN1092-1
Test acc. : EN12266-1

Material List

NO.	Part	Material	
		FIG.152.116	FIG.132.116
1	Body	1.4408	1.0619N
2	Disk	1.4401	1.4021
3	Stem	1.4401	1.4021
4	Bellow	1.4401	1.4301
5	Body seal	Graphite +1.4401	Graphite +1.4301
6	Bonnet	1.4408	1.0619N
7	Guide piece	1.4308	C22.8
8	Yoke nut	GGG50.3	GGG50.3
9	Handwheel	Carbon steel	Carbon steel
10	Lock nut	1.4308	CK22
15	Gland	1.4401	C22.8
16	Packing	Graphite +1.4401	Graphite +1.4301
17	Bolts	A4	G(24CrMo5)
18	Nuts	A4	YK(1.1181)

Dimension List

PN	DN	L	D	D1	D2	b	n - Ød	H	W
10	15	90	95	65	45	16	4 - 14	185	120
	20	95	105	75	58	18	4 - 14	190	120
	25	100	115	85	68	18	4 - 14	215	120
	32	105	140	100	78	18	4 - 18	215	140
	40	115	150	110	88	18	4 - 18	235	160
	50	125	165	125	102	18	4 - 18	240	160
	65	145	185	145	122	18	4 - 18	255	180
	80	155	200	160	138	20	8 - 18	270	200
	100	175	220	180	158	20	8 - 18	335	250
	125	200	250	210	188	22	8 - 18	380	300
	150	225	285	240	212	22	8 - 22	415	350
	200	275	340	295	268	24	8 - 22	465	450
250	325	395	350	320	26	12 - 22	620	500	
300	375	445	400	370	26	12 - 22	675	500	

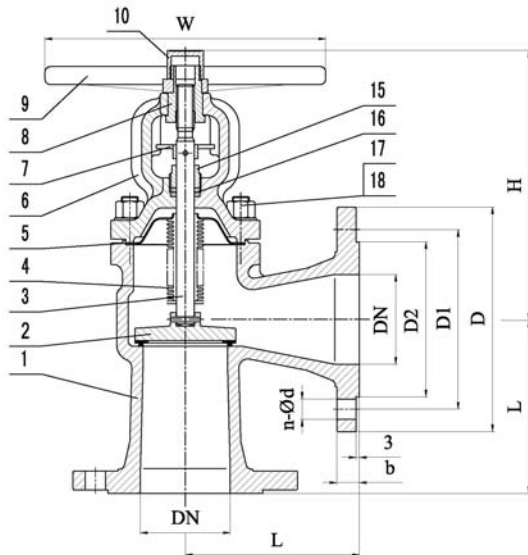


FIG.	Pressure	Material	Range
133.116	PN16	1.0619N	DN15-DN300
153.116	PN16	1.4408	DN15-DN300

Design acc. : EN13709
Face to face : EN558
Flange end : EN1092-1
Test acc. : EN12266-1

Material List

NO.	Part	Material	
		FIG.153.116	FIG.133.116
1	Body	1.4408	1.0619N
2	Disk	1.4401	1.4021
3	Stem	1.4401	1.4021
4	Bellow	1.4401	1.4301
5	Body seal	Graphite +1.4401	Graphite +1.4301
6	Bonnet	1.4408	1.0619N
7	Guide piece	1.4308	C22.8
8	Yoke nut	GGG50.3	GGG50.3
9	Handwheel	Carbon steel	Carbon steel
10	Lock nut	1.4308	CK22
15	Gland	1.4401	C22.8
16	Packing	Graphite +1.4401	Graphite +1.4301
17	Bolts	A4	G(24CrMo5)
18	Nuts	A4	YK(1.1181)

Dimension List

PN	DN	L	D	D1	D2	b	n - Φd	H	W
16	15	90	95	65	45	16	4 - 14	185	120
	20	95	105	75	58	18	4 - 14	190	120
	25	100	115	85	68	18	4 - 14	215	120
	32	105	140	100	78	18	4 - 18	215	140
	40	115	150	110	88	18	4 - 18	235	160
	50	125	165	125	102	18	4 - 18	240	160
	65	145	185	145	122	18	4 - 18	255	180
	80	155	200	160	138	20	8 - 18	270	200
	100	175	220	180	158	20	8 - 18	335	250
	125	200	250	210	188	22	8 - 18	380	300
	150	225	285	240	212	22	8 - 22	415	350
	200	275	340	295	268	24	12 - 22	465	450
	250	325	405	355	320	26	12 - 26	620	500
300	375	460	410	378	28	12 - 26	675	500	

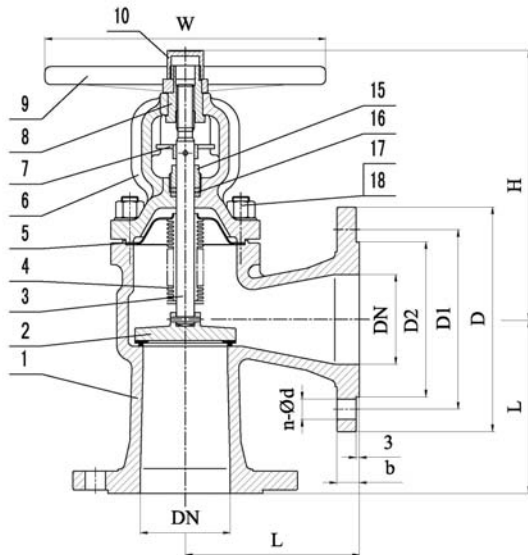


FIG.	Pressure	Material	Range
134.116	PN25	1.0619N	DN15-DN300
154.116	PN25	1.4408	DN15-DN300

Design acc. : EN13709
Face to face : EN558
Flange end : EN1092-1
Test acc. : EN12266-1

Material List

NO.	Part	Material	
		FIG.154.116	FIG.134.116
1	Body	1.4408	1.0619N
2	Disk	1.4401	1.4021
3	Stem	1.4401	1.4021
4	Bellow	1.4401	1.4301
5	Body seal	Graphite +1.4401	Graphite +1.4301
6	Bonnet	1.4408	1.0619N
7	Guide piece	1.4308	C22.8
8	Yoke nut	GGG50.3	GGG50.3
9	Handwheel	Carbon steel	Carbon steel
10	Lock nut	1.4308	CK22
15	Gland	1.4401	C22.8
16	Packing	Graphite +1.4401	Graphite +1.4301
17	Bolts	A4	G(24CrMo5)
18	Nuts	A4	YK(1.1181)

Dimension List

PN	DN	L	D	D1	D2	b	n - Φd	H	W
25	15	90	95	65	45	16	4 - 14	185	120
	20	95	105	75	58	18	4 - 14	190	120
	25	100	115	85	68	18	4 - 14	215	120
	32	105	140	100	78	18	4 - 18	215	140
	40	115	150	110	88	18	4 - 18	235	160
	50	125	165	125	102	20	4 - 18	240	160
	65	145	185	145	122	22	8 - 18	255	180
	80	155	200	160	138	24	8 - 18	270	200
	100	175	235	190	162	24	8 - 22	335	250
	125	200	270	220	188	26	8 - 26	380	300
	150	225	300	250	218	28	8 - 26	415	350
	200	275	360	310	278	30	12 - 26	465	450
250	325	425	370	335	32	12 - 30	620	500	
300	375	485	430	395	34	16 - 30	675	500	

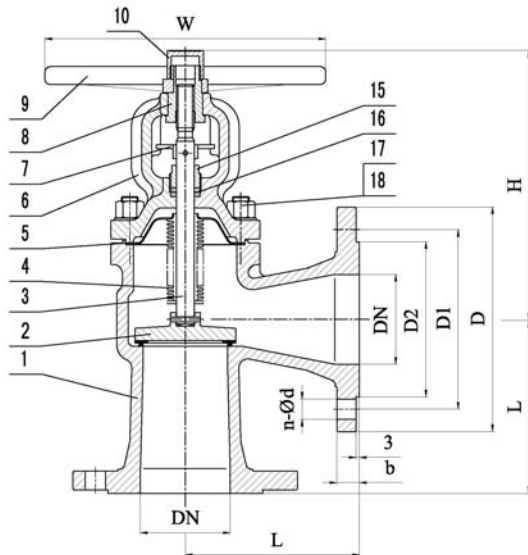


FIG.	Pressure	Material	Range
135.116	PN40	1.0619N	DN15-DN300
155.116	PN40	1.4408	DN15-DN300

Design acc. : EN13709
Face to face : EN558
Flange end : EN1092-1
Test acc. : EN12266-1

Material List

NO.	Part	Material	
		FIG.155.116	FIG.135.116
1	Body	1.4408	1.0619N
2	Disk	1.4401	1.4021
3	Stem	1.4401	1.4021
4	Bellow	1.4401	1.4301
5	Body seal	Graphite +1.4401	Graphite +1.4301
6	Bonnet	1.4408	1.0619N
7	Guide piece	1.4308	C22.8
8	Yoke nut	GGG50.3	GGG50.3
9	Handwheel	Carbon steel	Carbon steel
10	Lock nut	1.4308	CK22
15	Gland	1.4401	C22.8
16	Packing	Graphite +1.4401	Graphite +1.4301
17	Bolts	A4	G(24CrMo5)
18	Nuts	A4	YK(1.1181)

Dimension List

PN	DN	L	D	D1	D2	b	n - Φd	H	W
40	15	90	95	65	45	16	4 - 14	185	120
	20	95	105	75	58	18	4 - 14	190	120
	25	100	115	85	68	18	4 - 14	215	120
	32	105	140	100	78	18	4 - 18	215	140
	40	115	150	110	88	18	4 - 18	235	160
	50	125	165	125	102	20	4 - 18	240	160
	65	145	185	145	122	22	8 - 18	255	180
	80	155	200	160	138	24	8 - 18	270	200
	100	175	235	190	162	24	8 - 22	335	250
	125	200	270	220	188	26	8 - 26	380	300
	150	225	300	250	218	28	8 - 26	415	350
	200	275	375	320	285	34	12 - 30	465	450
250	325	450	385	345	38	12 - 33	620	500	
300	375	515	450	410	42	16 - 33	675	500	