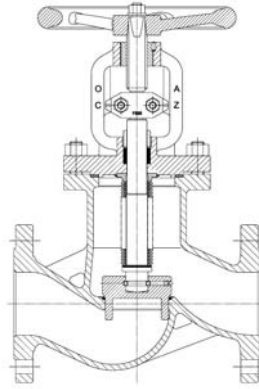


Maintenance-free
Design acc. : EN 13709
Face to face : EN558-1 G1
Flange end : EN1092-1
Test acc. : EN12266-1
Temperature range :
-10 °C ~ +400 °C (CS)
-10 °C ~ +600 °C (SS)
Witzenmann Bellows
circle 10 000
Body : 1.0619N /1.4408



disk from DN50 with guide



FIG : 112

FIG : 112

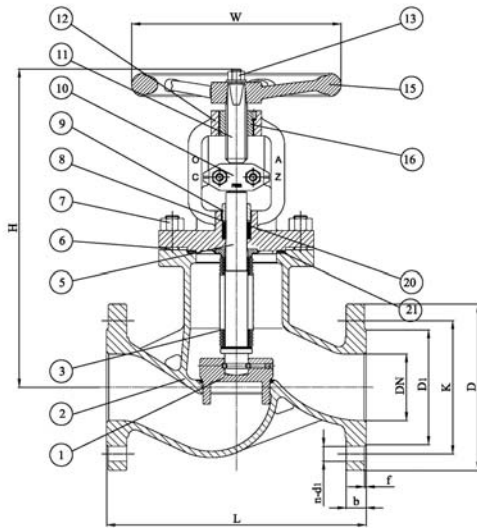


FIG.	Pressure	Material	Range
133.112	PN16	1.0619N	DN15-DN100
135.112	PN40	1.0619N	DN15-DN100
153.112	PN16	1.4408	DN15-DN100
155.112	PN40	1.4408	DN15-DN100

Design acc. : EN 13709
Face to face : EN558-1 G1
Flange end : EN1092-1
Test acc. : EN12266-1
Temperature range :
 -10°C ~ +400°C (CS)
 -10°C ~ +600°C (SS)

Material List

NO.	Part	Material	
		FIG.153.112/155.112	FIG.133.112/135.112
1	Disk	1.4401	1.4021
2	Body	1.4408	1.0619N+13Cr
3	Bellow	1.4571	1.4571
5	Low stem	1.4401	1.4006
6	Bolts	A4	G (24CrMo5)
7	Nuts	A4	YK (1.1181)
8	Gasket	1.4301	1.4301
9	Nut	1.4408	1.0619N
10	Connecting block	1.4308	1.4308
11	Up stem	1.4401	1.4006
12	Bonnet	1.4408	1.0619N
13	Nut	A2	YK (1.1181)
15	Handwheel	GGG40	GGG40
16	Stem nut	GGG40	GGG40
20	Packing	Graphite	Graphite
21	Seal	Graphite +1.4401	Graphite +1.4301

Dimension List

PN	DN	L	D	D1	K	b	f	w	n	d1	H	KG
16	65	290	185	122	145	18	3	220	4	18	313	23
	80	310	200	138	160	20	3	250	8	18	370	32.5
	100	350	220	158	180	20	3	250	8	18	390	42
16/40	15	130	95	45	65	16	2	120	4	14	228	5.4
	20	150	105	58	75	18	2	120	4	14	233	6.1
	25	160	115	68	85	18	2	140	4	14	238	7.8
	32	180	140	78	100	18	2	140	4	18	250	10.0
	40	200	150	88	110	18	3	160	4	18	285	13.0
	50	230	165	102	125	20	3	160	4	18	293	16.5
40	65	290	185	122	145	22	3	220	8	18	313	28.0
	80	310	200	138	160	24	3	250	8	18	370	32.0
	100	350	235	162	190	24	3	250	8	22	390	56.3

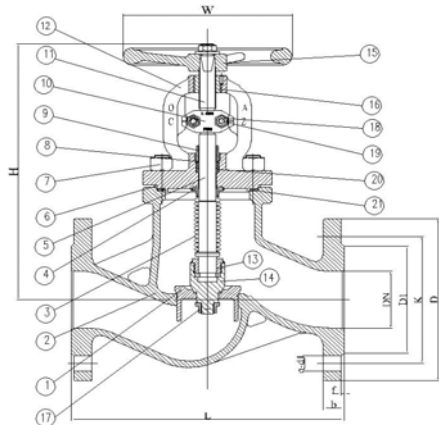


FIG.	Pressure	Material	Range
133.112	PN16	1.0619N	DN125-DN400
135.112	PN40	1.0619N	DN125-DN400
153.112	PN16	1.4408	DN125-DN400
155.112	PN40	1.4408	DN125-DN400

Design acc. : EN 13709
Face to face : EN558-1 G1
Flange end : EN1092-1
Test acc. : EN12266-1
Temperature range :
 -10°C ~ +400°C (CS)
 -10°C ~ +600°C (SS)

Material List

NO.	Part	Material	
		FIG.153.112/155.112	FIG.133.112/135.112
1	Disk	1.4401	CS+13Cr
2	Body	1.4408	1.0619N+13Cr
3	Bellow	1.4571	1.4571
4	Connecting ring	1.4404	1.4401
5	Low stem	1.4401	1.4006
6	Bolts	A4	G (24CrMo5)
7	Nuts	A4	YK (1.1181)
8	Gasket	1.4301	1.4301
9	Nut	1.4408	1.0619N
10	Connecting block	1.4308	1.4308
11	Up stem	1.4401	1.4006
12	Bonnet	1.4408	1.0619N
13	Disc screw	1.4401	1.4006
14	Secondary disc	1.4401	1.4021
15	Handwheel	GGG-40	GGG-40
16	Stem nut	GGG-40	GGG-40
17	Nut	A4	A2
18	Nut	A2	35
19	Bolts	A2	35
20	Packing	Graphite	Graphite
21	Body seal	Graphite+1.4301	Graphite+1.4301

Dimension List

PN	DN	L	D	D1	K	b	f	w	n	d1	H	KG
16	125	400	250	188	210	22	3	350	8	18	435	62.5
	150	480	285	212	240	22	3	400	8	22	470	89.5
	200	600	340	268	295	24	3	460	12	22	560	193.5
	250	730	405	320	355	26	3	600	12	26	1116	245
	300	850	460	378	410	28	4	800	12	26	1176	410
	350	980	520	438	470	30	4	-	16	26	-	-
	400	1100	580	490	525	32	4	-	16	30	-	-
40	125	400	270	188	220	26	3	350	8	26	435	75.0
	150	480	300	218	250	28	3	400	8	26	470	106.0
	200	600	375	285	320	34	3	460	12	30	560	232.0
	250	730	450	345	385	38	3	600	12	33	1116	294
	300	850	515	410	450	42	4	800	16	33	1176	580

Edit: FengChunyan
 Suzhou Fleu valve Co.Ltd
 No.767 Huagang Road

Checking: WangHuanyu
 Tel : 0086 512 63430669
 Fax : 0086 512 63409789

Approved: ZWS

Date: 24.May.2016

E-mail : szsales@fleu-valve.com
 http : //www.fleu-valve.com