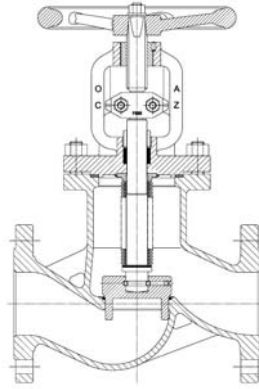


**Maintenance-free**  
**Design acc. : EN 13709**  
**Face to face : EN558-1 G1**  
**Flange end : EN1092-1**  
**Test acc. : EN12266-1**  
**Temperature range :**  
**-29°C~ +425°C(1.0619N )**  
**-196°C~ +600°C(1.4408 )**  
**Witzenmann Bellows**  
**circle 10 000**  
**Body : 1.0619N /1.4408**



disk from DN50 with guide



**FIG : 112**

**FIG : 112**

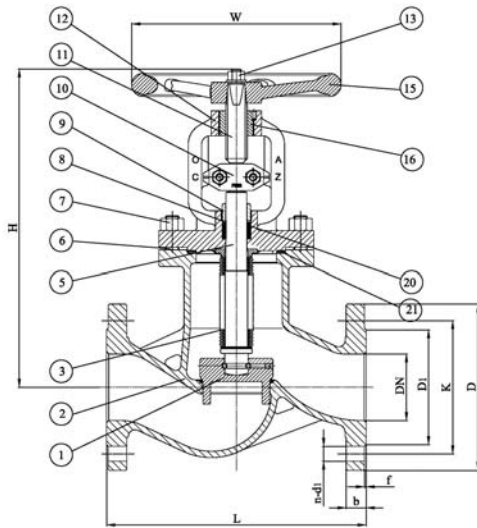


FIG.	Pressure	Material	Range
133.112	PN16	1.0619N	DN15-DN125
135.112	PN40	1.0619N	DN15-DN125
153.112	PN16	1.4408	DN15-DN125
155.112	PN40	1.4408	DN15-DN125
245.112	PN40	1.4409	DN15-DN125

**Design acc. : EN 13709**  
**Face to face : EN558-1 Ser.1**  
**Flange end : EN1092-1**  
**Test acc. : EN12266-1**  
**Temperature range :**  
 -29°C~ +425°C(1.0619N )  
 -196°C~ +600°C(1.4408 )

**Material List**

NO.	Part	Material	
		FIG.153.112/155.112	FIG.133.112/135.112
1	Disk	1.4401	1.4021
2	Body	1.4408/1.4409	1.0619N+13Cr
3	Bellow	1.4571	1.4571
5	Low stem	1.4401	1.4006
6	Bolts	A4	1.7225(GC)
7	Nuts	A4	1.1181(YK)
8	Gasket	1.4301	1.4301
9	Nut	1.4408	1.0619N
10	Connecting block	1.4308	1.4308
11	Up stem	1.4401	1.4006
12	Bonnet	1.4408/1.4409	1.0619N
13	Nut	A2	YK (1.1181)
15	Handwheel	GGG40	GGG40
16	Stem nut	GGG40	GGG40
20	Packing	Graphite	Graphite
21	Body seal	Graphite +1.4401	Graphite +1.4301

**Dimension List**

PN	DN	L	D	D1	K	b	f	w	n	d1	H	KG
16	65	290	185	122	145	18	3	220	4	18	313	23
	80	310	200	138	160	20	3	250	8	18	370	32.5
	100	350	220	158	180	20	3	250	8	18	390	42
	125	400	250	188	210	22	3	350	8	18	435	62.5
16/40	15	130	95	45	65	16	2	120	4	14	228	5.4
	20	150	105	58	75	18	2	120	4	14	233	6.1
	25	160	115	68	85	18	2	140	4	14	238	7.8
	32	180	140	78	100	18	2	140	4	18	250	10.0
	40	200	150	88	110	18	3	160	4	18	285	13.0
	50	230	165	102	125	20	3	160	4	18	293	16.5
40	65	290	185	122	145	22	3	220	8	18	313	28.0
	80	310	200	138	160	24	3	250	8	18	370	32.0
	100	350	235	162	190	24	3	250	8	22	390	56.3
	125	400	270	188	220	26	3	350	8	26	435	75.0

Edit: FengChunyan  
 Suzhou Fleu valve Co.Ltd  
 No.767 Huagang Road

Checking: WangHuanyu  
 Tel : 0086 512 63430669  
 Fax : 0086 512 63409789

Approved: ZWS

Date: 15.Mar.2019

E-mail : szsales@fleu-valve.com  
 http : //www.fleu-valve.com

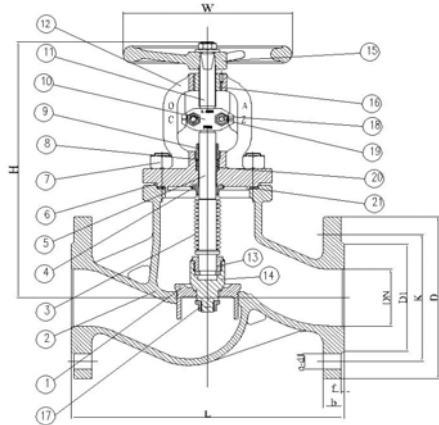


FIG.	Pressure	Material	Range
133.112	PN16	1.0619N	DN150-DN400
135.112	PN40	1.0619N	DN150-DN400
153.112	PN16	1.4408	DN150-DN400
155.112	PN40	1.4408	DN150-DN400

**Design acc. : EN 13709**  
**Face to face : EN558-1 Ser.1**  
**Flange end : EN1092-1**  
**Test acc. : EN12266-1**  
**Temperature range :**  
 -29°C~ +425°C(1.0619N )  
 -196°C~ +600°C(1.4408 )

**Material List**

NO.	Part	Material	
		FIG.153.112/155.112	FIG.133.112/135.112
1	Disk	1.4401	CS+13Cr
2	Body	1.4408/1.4409	1.0619N+13Cr
3	Bellow	1.4571	1.4571
4	Connecting ring	1.4404	1.4401
5	Low stem	1.4401	1.4006
6	Bolts	A4	1.7225(GC)
7	Nuts	A4	1.1181(YK)
8	Gasket	1.4301	1.4301
9	Nut	1.4408	1.0619N
10	Connecting block	1.4308	1.4308
11	Up stem	1.4401	1.4006
12	Bonnet	1.4408/1.4409	1.0619N
13	Disc screw	1.4401	1.4006
14	Secondary disc	1.4401	1.4021
15	Handwheel	GGG-40	GGG-40
16	Stem nut	GGG-40	GGG-40
17	Nut	A4	A2
18	Nut	A2	35
19	Bolts	A2	35
20	Packing	Graphite	Graphite
21	Body seal	Graphite +1.4401	Graphite +1.4301

**Dimension List**

PN	DN	L	D	D1	K	b	f	w	n	d1	H	KG
16	150	480	285	212	240	22	3	400	8	22	470	89.5
	200	600	340	268	295	24	3	460	12	22	560	193.5
	250	730	405	320	355	26	3	600	12	26	1116	245
	300	850	460	378	410	28	4	800	12	26	1176	410
	350	980	520	438	470	30	4	-	16	26	-	-
	400	1100	580	490	525	32	4	-	16	30	-	-
40	150	480	300	218	250	28	3	400	8	26	470	106.0
	200	600	375	285	320	34	3	460	12	30	560	232.0
	250	730	450	345	385	38	3	600	12	33	1116	294
	300	850	515	410	450	42	4	800	16	33	1176	580

Edit: FengChunyan  
 Suzhou Fleu valve Co.Ltd  
 No.767 Huagang Road

Checking: WangHuanyu  
 Tel : 0086 512 63430669  
 Fax : 0086 512 63409789

Approved: ZWS

Date: 15.Mar.2019

E-mail : szsales@fleu-valve.com  
 http : //www.fleu-valve.com