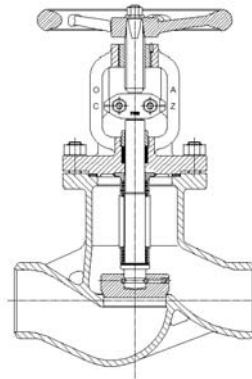


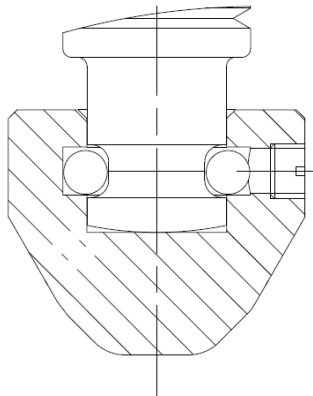
**Maintenance-free**  
**Design acc. : EN 13709**  
**Face to face : EN558-1**  
**Butt-welded end : DIN 3239.**  
**Test acc. : EN12266**  
**Body : 1.0619N / 1.4408**



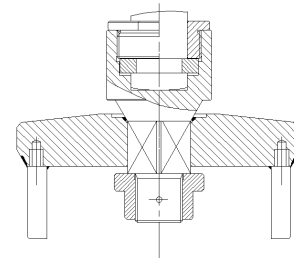
**FIG : 112 – BW**



**FIG : 112 – BW**



**Regulating disc**  
**Disk from without guide**  
**DN15 - DN100**  
**FIG : 112 – R**



**Disk from with guide**  
 $\geq$ **DN150**  
**FIG : 112**

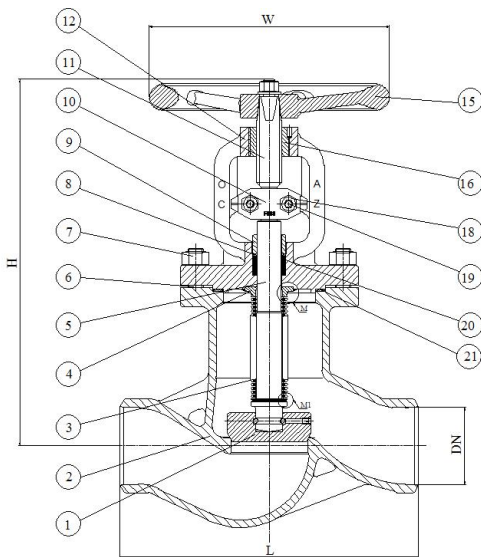
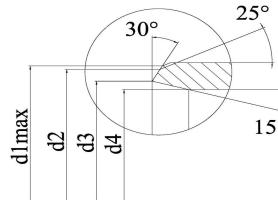


FIG.	Pressure	Material	Range
133.112-BW	PN16	1.0619N	DN15-DN125
135.112-BW	PN40	1.0619N	DN15-DN125
153.112-BW	PN16	1.4408	DN15-DN125
155.112-BW	PN40	1.4408	DN15-DN125



**Design acc. : EN 13709**  
**Face to face : EN558-1**  
**Butt-welded end : DIN 3239**  
**Test acc. : EN12266-1**

**Material List**

NO.	Part	Material	
		FIG.153.112-BW / 155.112-BW	FIG.133.112-BW / 135.112-BW
1	Disk	1.4401	1.4021
1.1	Disk seal	Stellit	/
2	Body	1.4408	1.0619N
2.1	Body seat	/	13Cr
3	Bellow	1.4571	1.4571
5	Low stem	1.4401	1.4006
6	Bolts	A4	1.7225(GC)
7	Nuts	A4	1.1181(YK)
8	Gasket	1.4301	1.4301
9	Nut	1.4408	1.0619N
10	Connecting block	1.4308	1.4308
11	Up stem	1.4401	1.4006
12	Bonnet	1.4408	1.0619N
15	Handwheel	GGG40	GGG40
16	Stem nut	GGG40	GGG40
20	Packing	Graphite	Graphite
21	Body seal	Graphite +1.4401	Graphite +1.4301

**Dimension List**

PN	DN	L	d1Max	d2	d3	d4	w	H	KG
16/40	15	130	24	23	17	15	120	232	4.2
	20	150	31	28	22	20	120	232	5.2
	25	160	37	34	28	25	140	245	6.3
	32	180	43	42	35	32	140	245	7.1
	40	200	54	50	43	40	160	295	10.4
	50	230	67	62	54	50	160	295	13.2
	65	290	83	78	70	65	220	310	17.1
	80	310	96	91	82	80	250	374	27.8
	100	350	121	116	106	100	250	377	46.2
125	400	147	142	131	125	350	448	58.8	

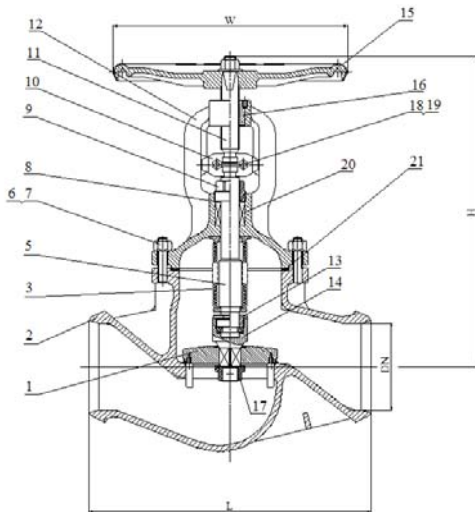
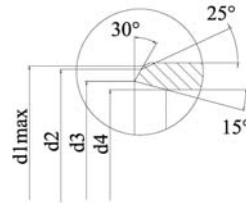


FIG.	Pressure	Material	Range
133.112-BW	PN16	1.0619N	DN150-DN300
135.112-BW	PN40	1.0619N	DN150-DN300
153.112-BW	PN16	1.4408	DN150-DN300
155.112-BW	PN40	1.4408	DN150-DN300



**Design acc. : EN 13709**  
**Face to face : EN558-1**  
**Butt-welded end : DIN 3239**  
**Test acc. : EN12266-1**

**Material List**

NO.	Part	Material	
		FIG.153.112-BW/155.112-BW	FIG.133.112-BW/135.112-BW
1	Disk	1.4401	CS
1.1	Disk seal	Stellit	13Cr
2	Body	1.4408	1.0619N
2.1	Body seat	/	13Cr
3	Bellow	1.4571	1.4571
4	Connecting ring	1.4404	1.4401
5	Low stem	1.4401	1.4006
6	Bolts	A4	1.7225(GC)
7	Nuts	A4	1.1181(YK)
8	Gasket	1.4301	1.4301
9	Nut	1.4408	1.0619N
10	Connecting block	1.4308	1.4308
11	Up stem	1.4401	1.4006
12	Bonnet	1.4408	1.0619N
13	Disc screw	1.4401	1.4006
14	Secondary disc	1.4401	1.4021
15	Handwheel	GGG-40	GGG-40
16	Stem nut	GGG-40	GGG-40
17	Nut	A4	A2
18	Nut	A2	35
19	Bolts	A2	35
20	Packing	Graphite	Graphite
21	Body seal	Graphite +1.4401	Graphite +1.4301

**Dimension List**

PN	DN	L	d1Max	d2	d3	d4	W	H	KG
16/40	150	480	176	171	159	150	400	473	88
	200	600	228	222	207	200	500	550	
	250	730	282	276	260	250	600	796	
	300	850.	331	325	309	300	800	1176	