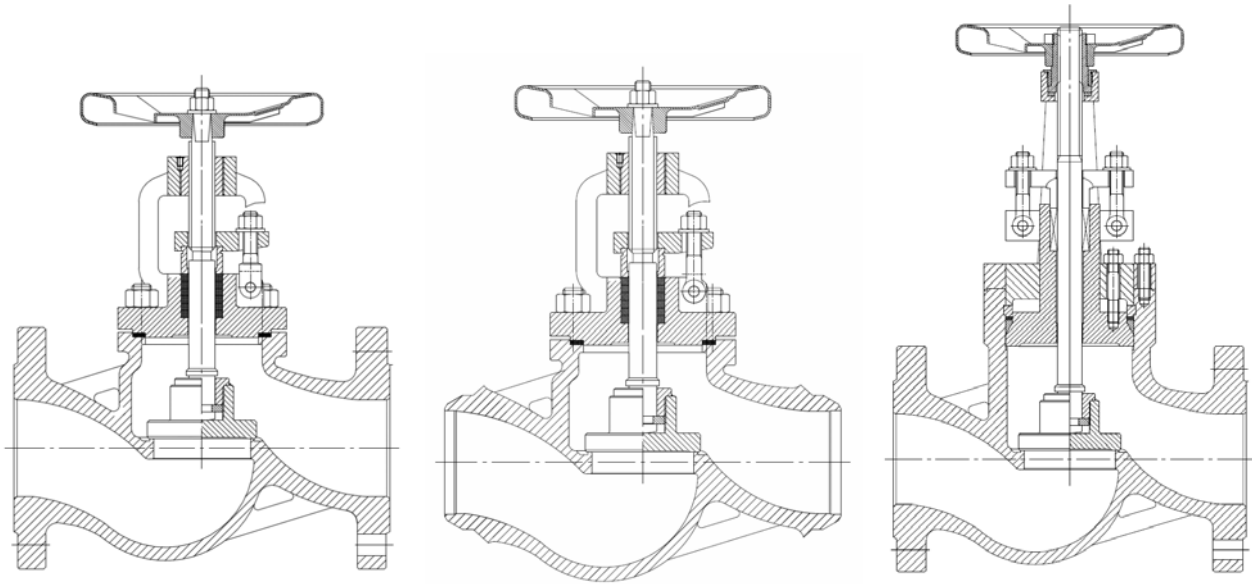


DIN High-pressure globe valve**Fig.128****DN15-DN300****PN63,PN100,PN160****Body:1.0619N,1.7357,1.7379,1.4408****Design features**

- Straight type, Outside screw and yoke, Rising stem,Rising handwheel, Loose disc
- Pressure self-sealing bonnet for PN160
- ANSI version connection available: ASME B16.5 flanged end, ASME B16.25 Butt welded end
- Fire safe per EN ISO 10497 applicable

Applications

Fig.128 is design guarantees reliable and excellent protections against leaks and severe condition. The valve is suitable for water, gas, oil and other non aggressive media depending on body material. The fields of application are chemical and petrochemical industries, power plants, ship building and other.

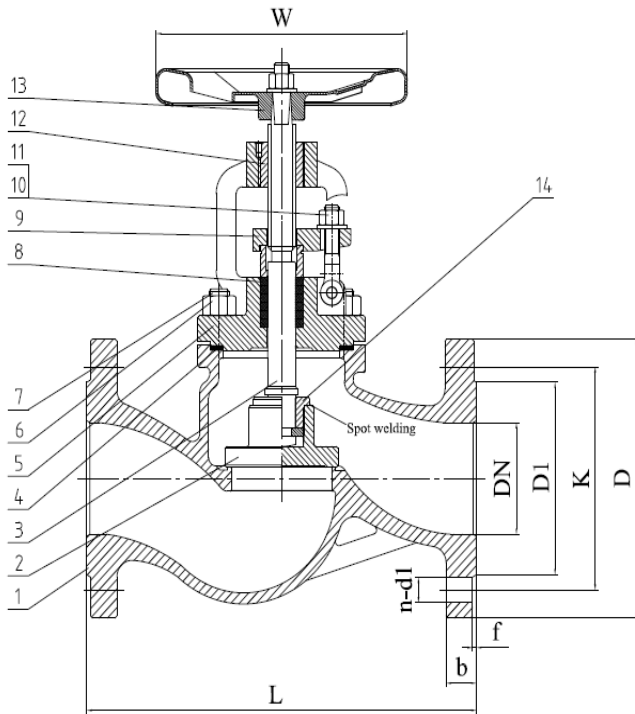


FIG.	Pressure	Material	Range
136.128	PN63	1.0619N	DN15-DN300
176.128	PN63	1.7357	DN15-DN300
536.128	PN63	1.7379	DN15-DN300
156.128	PN63	1.4408	DN15-DN300

Design acc. : DIN EN 13709
Face to face : DIN EN 558-1,Ser.2(F2)
Flange end : DIN EN 1092-1.
Test acc. : DIN EN 12266.

Material list

NO.	Part	Material			
		FIG. 136.128	FIG. 176.128	FIG.536.128	FIG.156.128
1	Body	1.0619N	1.7357	1.7379	1.4408
1.1	Body seat	13%Cr /Stellite	13%Cr/Stellite	13%Cr/Stellite	1.4408/Stellite
2	Disc	1.0619N	1.7357	1.7379	1.4408
2.2	Disc seat	13%Cr/Stellite	13%Cr/Stellite	13%Cr/Stellite	1.4408/Stellite
3	Stem	1.4021	1.4021	1.4021	1.4401
4	Gasket	1.4301+ Graphite	1.4301+ Graphite	1.4301+ Graphite	1.4401+ Graphite
5	Bonnet	1.0619N	1.7357	1.7379	1.4408
6	Nut	1.1181	1.7218	1.7218	A4
7	Bolt	1.7225	1.7709	1.7709	A4-70
8	Packing	Graphite	Graphite	Graphite	Graphite
9	Packing gland	1.0619N	1.7357	1.7379	1.4408
10	Gland nut	1.1181	1.7218	1.7218	A4
11	Eyelet bolt	1.7225	1.7709	1.7709	A4-70
12	Stem nut	GGG 40.3	GGG 40.3	GGG 40.3	GGG 40.3
13	Handwheel	GGG 40.3	GGG 40.3	GGG 40.3	GGG 40.3
14	Disc nut	1.4021	1.4021	1.4021	1.4401

Dimension list

PN	DN	L	D	K	D1	f	b	n	d1	W
63	15	210	105	75	45	2	20	4	14	150
	20	230	130	90	58	2	22	4	18	150
	25	230	140	100	68	2	24	4	18	150
	32	260	155	110	78	2	26	4	22	200
	40	260	170	125	88	3	28	4	22	200
	50	300	180	135	102	3	26	4	22	200
	65	340	205	160	122	3	26	8	22	225
	80	380	215	170	138	3	28	8	22	250
	100	430	250	200	162	3	30	8	26	300
	150	550	345	280	218	3	36	8	33	500
	200	650	415	345	285	3	42	12	36	600
	250	775	470	400	345	3	46	12	36	700
	300	900	530	460	410	4	52	16	36	700

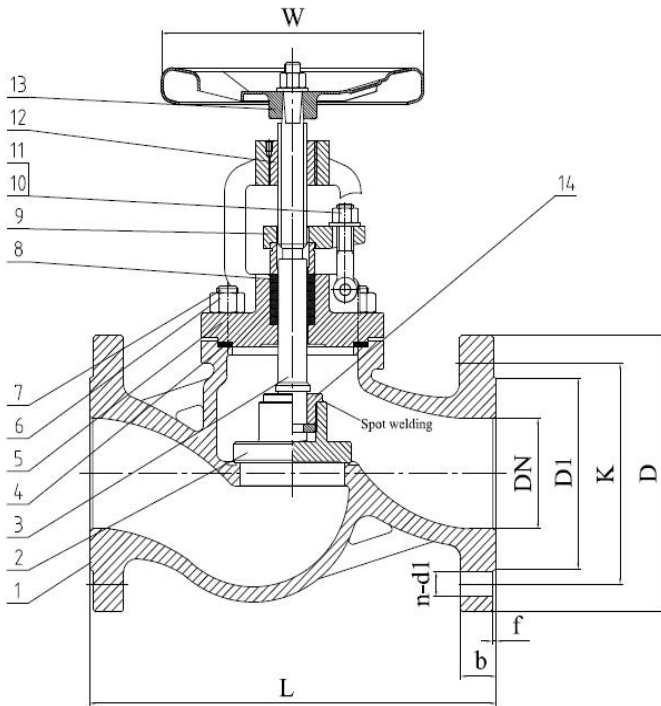


FIG.	Pressure	Material	Range
137.128	PN100	1.0619N	DN15-DN300
177.128	PN100	1.7357	DN15-DN300
537.128	PN100	1.7379	DN15-DN300
157.128	PN100	1.4408	DN15-DN300

Design acc. : DIN EN 13709
Face to face : DIN EN 558-1,Ser.2(F2)
Flange end : DIN EN 1092-1.
Test acc. : DIN EN 12266.

Material list

NO.	Part	Material			
		FIG. 137.128	FIG. 177.128	FIG.537.128	FIG.157.128
1	Body	1.0619N	1.7357	1.7379	1.4408
1.1	Body seat	13%Cr /Stellite	13%Cr/Stellite	13%Cr/Stellite	1.4408/Stellite
2	Disc	1.0619N	1.7357	1.7379	1.4408
2.2	Disc seat	13%Cr/Stellite	13%Cr/Stellite	13%Cr/Stellite	1.4408/Stellite
3	Stem	1.4021	1.4021	1.4021	1.4401
4	Gasket	1.4301+ Graphite	1.4301+ Graphite	1.4301+ Graphite	1.4401+ Graphite
5	Bonnet	1.0619N	1.7357	1.7379	1.4408
6	Nut	1.1181	1.7218	1.7218	A4
7	Bolt	1.7225	1.7709	1.7709	A4-70
8	Packing	Graphite	Graphite	Graphite	Graphite
9	Packing gland	1.0619N	1.7357	1.7379	1.4408
10	Gland nut	1.1181	1.7218	1.7218	A4
11	Eyelet bolt	1.7225	1.7709	1.7709	A4-70
12	Stem nut	GGG 40.3	GGG 40.3	GGG 40.3	GGG 40.3
13	Handwheel	GGG 40.3	GGG 40.3	GGG 40.3	GGG 40.3
14	Disc nut	1.4021	1.4021	1.4021	1.4401

Dimension list

PN	DN	L	D	K	D1	f	b	n	d1	W
100	15	210	105	75	45	2	20	4	14	150
	20	230	130	90	58	2	22	4	18	150
	25	230	140	100	68	2	24	4	18	150
	32	260	155	110	78	2	26	4	22	200
	40	260	170	125	88	3	28	4	22	200
	50	300	195	145	102	3	30	4	26	200
	65	340	220	170	122	3	34	8	26	225
	80	380	230	180	138	3	36	8	26	250
	100	430	265	210	162	3	40	8	30	300
	150	550	355	290	218	3	44	12	33	500
	200	650	430	360	285	3	52	12	36	600
	250	775	505	430	345	3	60	12	39	700
300	900	585	500	410	4	68	16	42	700	

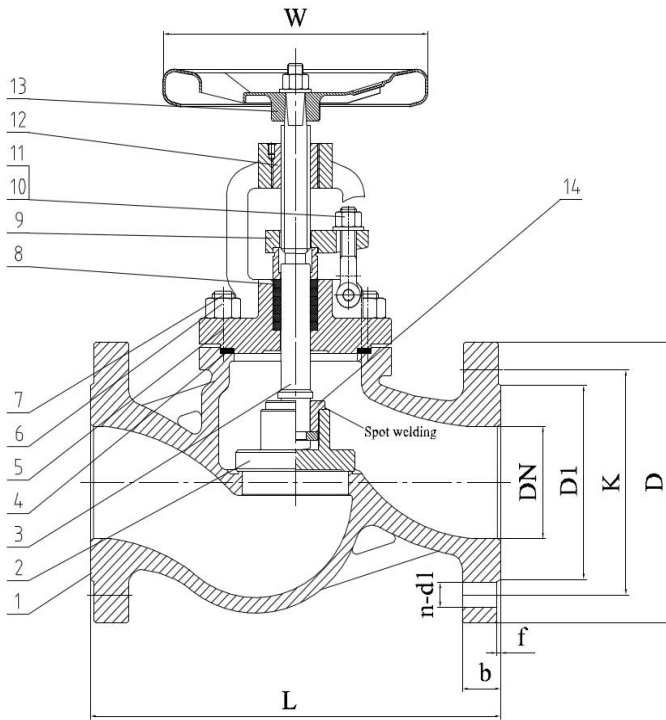


FIG.	Pressure	Material	Range
138.128	PN160	1.0619N	DN15-DN300
178.128	PN160	1.7357	DN15-DN300
538.128	PN160	1.7379	DN15-DN300
158.128	PN160	1.4408	DN15-DN300

Design acc. : DIN EN 13709
Face to face : DIN EN 558-1,Ser.2(F2)
Flange end : DIN EN 1092-1.
Test acc. : DIN EN 12266.

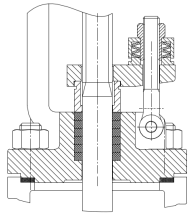
Material list

NO.	Part	Material			
		FIG. 138.128	FIG. 178.128	FIG.538.128	FIG.158.128
1	Body	1.0619N	1.7357	1.7379	1.4408
1.1	Body seat	13%Cr /Stellite	13%Cr/Stellite	13%Cr/Stellite	1.4408/Stellite
2	Disc	1.0619N	1.7357	1.7379	1.4408
2.2	Disc seat	13%Cr/Stellite	13%Cr/Stellite	13%Cr/Stellite	1.4408/Stellite
3	Stem	1.4021	1.4021	1.4021	1.4401
4	Gasket	1.4301+ Graphite	1.4301+ Graphite	1.4301+ Graphite	1.4401+ Graphite
5	Bonnet	1.0619N	1.7357	1.7379	1.4408
6	Nut	1.1181	1.7218	1.7218	A4
7	Bolt	1.7225	1.7709	1.7709	A4-70
8	Packing	Graphite	Graphite	Graphite	Graphite
9	Packing gland	1.0619N	1.7357	1.7379	1.4408
10	Gland nut	1.1181	1.7218	1.7218	A4
11	Eyelet bolt	1.7225	1.7709	1.7709	A4-70
12	Stem nut	GGG 40.3	GGG 40.3	GGG 40.3	GGG 40.3
13	Handwheel	GGG 40.3	GGG 40.3	GGG 40.3	GGG 40.3
14	Disc nut	1.4021	1.4021	1.4021	1.4401

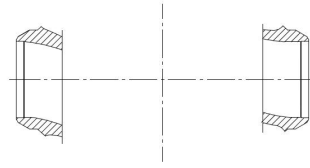
Dimension list

PN	DN	L	D	K	D1	f	b	n	d1	W
160	15	210	105	75	45	2	20	4	14	150
	20	230	130	90	58	2	22	4	18	150
	25	230	140	100	68	2	24	4	18	150
	32	260	155	110	78	2	26	4	22	200
	40	260	170	125	88	3	28	4	22	200
	50	300	195	145	102	3	30	4	26	200
	65	340	220	170	122	3	34	8	26	250
	80	380	230	180	138	3	36	8	26	300
	100	430	265	210	162	3	40	8	30	400
	150	550	355	290	218	3	50	12	33	500
	200	650	430	360	285	3	60	12	36	700
	250	775	515	430	345	3	68	12	42	700
300	900	585	500	410	4	78	16	42	800	

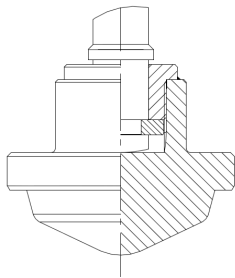
Available



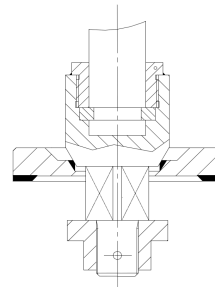
Spring living loaded system for packing



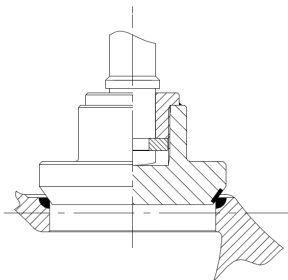
BW end acc. to EN 12627 & ASME B16.25



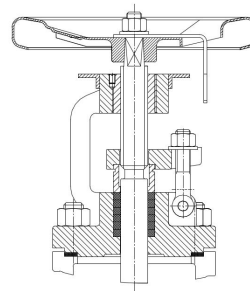
Regulating disc



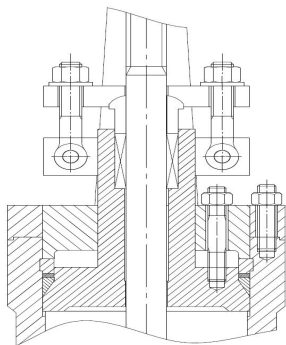
Balancing disc



Isolation plug with marginal seat



Position indicator



Pressure self-sealing bonnet for PN160