



**Complete PTFE type
Soft seal Ball valve
Trunnion ball
Flange
PN16 / 40
DN150-300**

Range of application:

For food & drug industry and clean energy
In chemical industry and related manufacturing industries

Temperature range:

Max. working temperature :
-29°C to +200°C (carbon steel)
-50°C to +200°C (stainless steel)

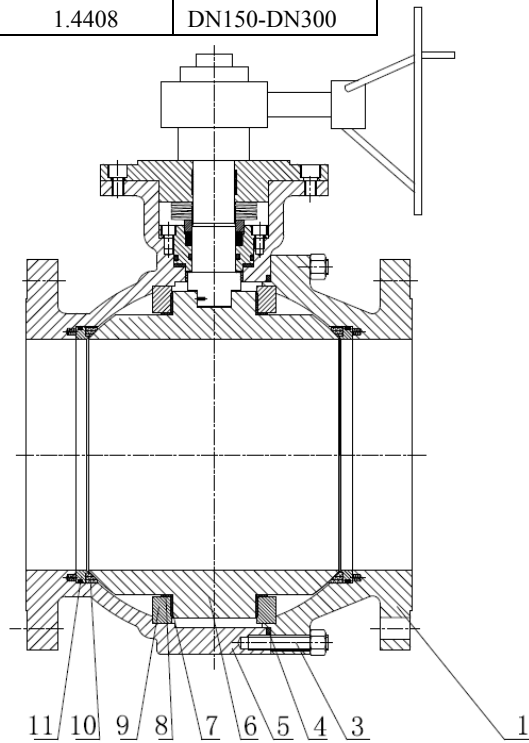
Perform standard:

Design:split body with full bore round port , trunnion ball.
acc. DIN 3357 .
Design minimum wall thickness calculation acc. : EN12516-1 .
Face to face : DIN 558-1.
Flange ends : DIN EN1092-1.
Operating:with a two flat stem acc to the NAMUR
-recommends.
90° -rotary switch
Actuator mounting: mounting flange acc. to DIN ISO 5211
for gear box , air- , electric-or hydraulic pattern actuator .
Antistatic device acc.: BS 5351 .
PTFE parts mit FDA certification available.
Preloaded belleville spring design for stem sealing system,
offers the possibility of adjustment of the sealing.

Material [cording DIN EN (DIN)]

Body: —1.4408
—1.0619N
Ball: —1.4401
—C22.8+ENP
Body Seal: PTFE
Seat : PTFE / RPTFE /TFM1600 /
VX1

FIG.	Pressure	Material	RANGE
133.761	PN16	1.0619N	DN150-DN300
135.761	PN40	1.0619N	DN150-DN300
153.761	PN16	1.4408	DN150-DN300
155.761	PN40	1.4408	DN150-DN300



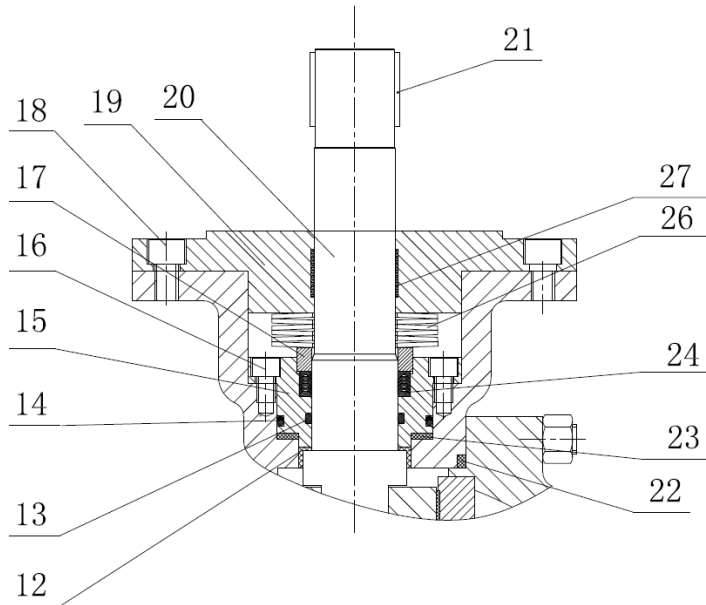
Ball valve with full bore and Flange .

Material list

NO.	Part	Material	
		FIG. 153.761 / 155.761	FIG. 133.761/ 135.761
1	Adapter	1.4408	1.0619N
3	Bolts	A4-70	1.7225
4	Body Seal	PTFE	PTFE
5	Body	1.4408	1.0619N
6	Ball	1.4401	C22.8+ENP
7	Thrust bearing	1.4401+PTFE+MoS2	1.4301+PTFE+MoS2
8	Gasket	PTFE	PTFE
9	Bracket	1.4408	C22.8
10	Seat	PTFE/RPTFE/TFM 1600/VX1	PTFE/RPTFE/TFM 1600/VX1
11	Support plate	1.4401	C22.8+ENP

Stopfbuchs-Varianten

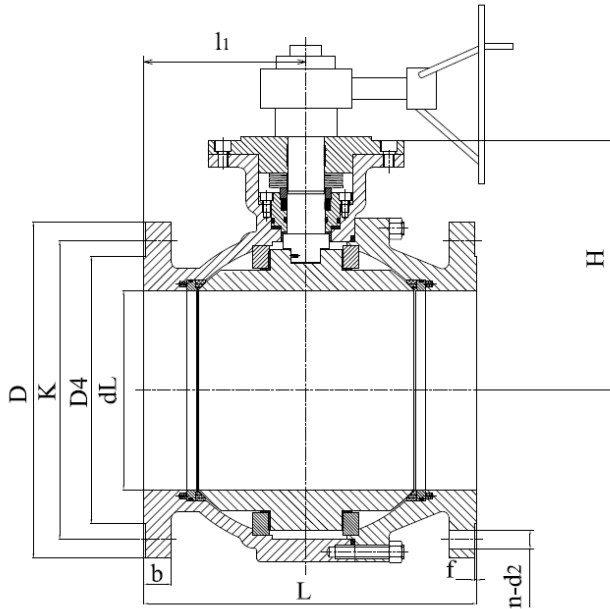
VS V-PTFE +SPRING
(TAAIR)



Material list

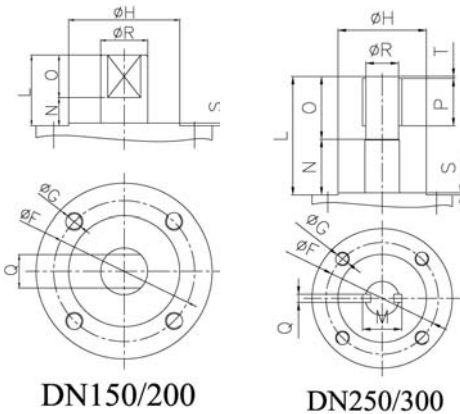
NO.	Part	Material	
		FIG. 153.761 / 155.761	FIG. 133.761 / 135.761
12	Gasket	PTFE	PTFE
13	O - Ring	VITON	VITON
14	O - Ring	VITON	VITON
15	Packing-box	1.4408	C22.8+ENP
16	Bolts	A4-70	A2-70
17	Metal-ring	1.4401	1.4301
18	Bolts	A4-70	A2-70
19	Gland	1.4401	C22.8
20	Stem	17-4PH /1.4462/1.4571/ 1.4401	17-4PH /1.4462/1.4571/ 1.4401
21	Key	45	45
22	Body seal	PTFE	PTFE
23	Gasket	PTFE	PTFE
24	Packing	PTFE	PTFE
26	Belleville spring	17-7PH	17-7PH
27	Thrust bearing	1.4401+PTFE+MoS2	1.4301+PTFE+MoS2

FIG.	Pressure	Material	RANGE
133.761	PN16	1.0619N	DN150-DN300
135.761	PN40	1.0619N	DN150-DN300
153.761	PN16	1.4408	DN150-DN300
155.761	PN40	1.4408	DN150-DN300



Dimension List

PN	DN	dL	L	L1	H	D	b	k	n-d2	D4×f	Weight
16	150	150	350	124	256	285	22	240	8-Φ22	Φ212×3	
	200	200	400	200	315	340	24	295	12-Φ22	Φ268×3	
	250	250	450	225	316	405	26	355	12-Φ26	Φ320×2	
	300	300	500	240	383	460	28	410	12-Φ26	Φ378×2	
40	150	150	350	124	256	300	28	250	8-Φ26	Φ218×3	
	200	200	400	200	315	375	34	320	12-Φ30	Φ285×3	
	250	250	450	225	316	450	38	385	12-Φ33	Φ345×2	
	300	300	500	240	383	515	42	450	16-Φ33	Φ410×2	



Dimension List

DN	ΦF	ΦG	ΦH	L	O	N	Q	ΦR	S	M	P	T
150	140	M16	100	61	39.8	21.2	20	36	3	-	-	-
200	125	M12	85	61	39.8	21.2	27	50	3	-	-	-
250	165	M20	130	172	90	82	12	50	3	58	70	3
300	254	M16	200	172	90	82	14	55	5	69	70	3

Edit: Feng Chunyan
Suzhou Fleu valve Co.Ltd
No.767 Huangang Road

Checking: Wang Huanyu
Tel : 0086 512 63430669
Fax : 0086 512 63409789

Approved: Shi Yongbin
E-mail : szsales@fleu-valve.com
http : //www.fleu-valve.com

Version: R3

Connecting format

Flanged		
Pressure rating	Flange dimension	Sealing form
PN16 PN40	DIN EN 1092-1	DIN EN 1092-1 Form B 1 ¹ Ra max : 12.5 μm Rz max : 50 μm

Installation instructions

Installation site is not prescribed.
Regardless of the flow direction.

Details please consult.

Technical parameters

Flow characteristics - Kv (m³/h)

DN	150	200	250	300
Kv	3500	6500	10200	14700

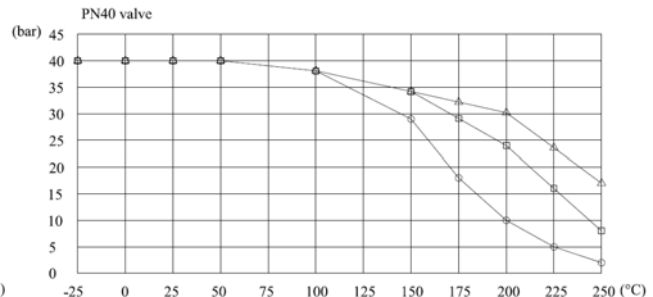
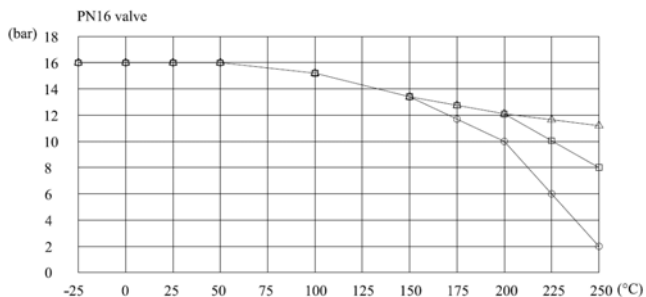
Open torque - Nm

ΔP (bar)	DN			
	150	200	250	300
0	126	180	321	500
10	233	320	653	989
16	297	450	852	1282
25	393	650	1151	1722
40	553	1010	1648	2455

Maximum and minimum

DN	150	200	250	300
M_{d max}	3500	4800	—	—
M_{d min}	63	90	160	250

Allowable pressure in dependence of the temperature



Seat material:

○—○—○ PTFE □—□—□ PTFE+25%Glass △—△—△ PTFE+15%Graphite

The shown values refer to austenitic stainless steel 1.4408. More details please consult.