

**ANSI Bellows seal globe valve for the containment and isolation of hazardous liquids and gases**

**Fig.149**

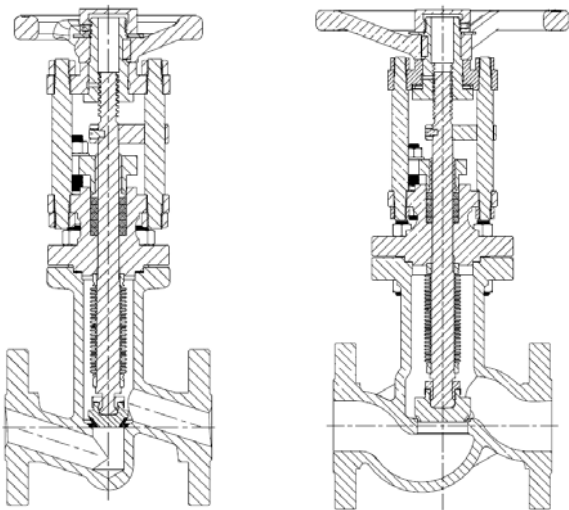
**Size: 1/2" – 16"**

**Class: 150lbs-300lbs**

**Body A350 LF2/A182 F316 for 1/2" – 2"**

**Body A352 LCC/A351 CF8M for 2 1/2" – 16"**

**20000 cycles UNS N10276 bellows**



**Design & Performance**

With a strength in design and excellent materials for the containment and isolation of hazardous liquids and gases, the ranges have built an enviable reputation for long service life and excellent performance

**Containment of Dangerous Emissions**

All valves are fitted with a UNS N10276 bellows seal guaranteed for 20,000 Open/Close/Open cycles. Valves are also designed with back up secondary pure PTFE packing glands and seals as standard.

**Repeatable tight closure and isolation**

For metal to metal seated valves the disc is harder than the seat minimising disc damage during operation ensuring long life for the seating surfaces. Polymer ring soft seat plugs are also available.

**Open Bellows Design**

Our design of open bellows and bolted top assembly gives easy access to inspect the bellows assembly area. The open design ensures that any corrosion products in the fluid do not get trapped around the bellows causing damage and early failure. The bellows are guaranteed for the life of the valve.

**Body Integrity and wall thickness**

Small valve bodies and all sizes of bonnets are forgings. Cast body integrity is monitored by 100% x-ray inspection, while wall thickness is in accordance with Eurochlor specifications for use on liquid chlorine services.

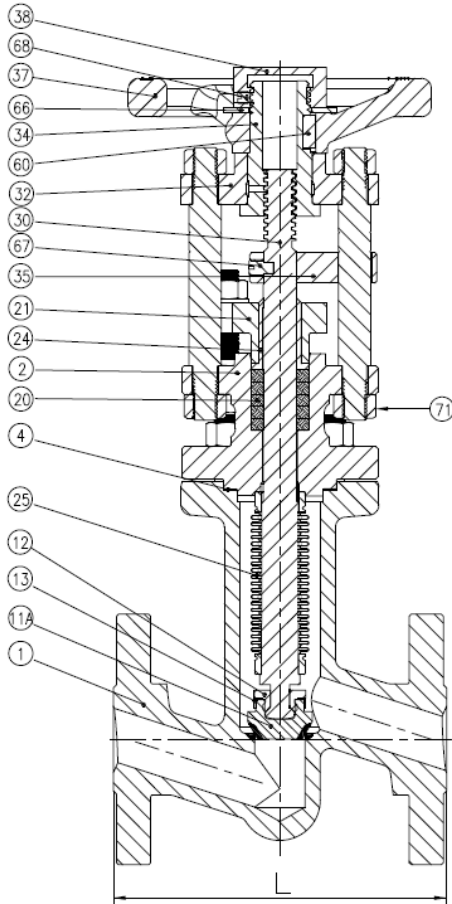
**Hand Wheel Easy Operation**

We have ensured that the manual valves are easy to operate using cast three or four spoke large diameter wheels and the use of needle and ball bearings are fitted on sizes 1 1/2" (DN40) and above to ensure easy operation and rotation when opening and closing the valve.

**Xylan coated**

All studs and nuts are coated with Whitford Xylan anti corrosion, self lubricating compound .

FIG.	Class	Material	Range
205.149	150lbs-300lbs	ASTM A350 LF2	1/2" - 2"
235.149	150lbs-300lbs	ASTM A182 F316	1/2" - 2"



**Material List**

No.	Item	Material
1	Body	ASTM A350 LF2+Stellite 21
2	Bonnet	ASTM A350 LF2
4	Body/Bonnet gasket	GYLON 3510
11A	Disc	316Ti(1.4571)+Stellite 6
12	Disc nut	UNS S43100
13	Disc lock washer	Type 316
20	Packing ring	Pure PTFE
21	Packing gland	ASTM A351 CF8M
24	Gland scraper bush	INORGANIC FILLER PTFE
25	Bellows	UNS N10276(2.4819)
30	Stem	UNS S31803
32	Yoke flange	CS AISI 1035
34	Yoke sleeve	A439 Grade D2
35	Anti rotation bridge	CS AISI 1035
36	Pillar	CS AISI 1035
37	Handwheel	SG Iron BS.EN 1563 EN GJS-400-18
38	Handwheel locknut	CS AISI 1035
50	Name plate	Type 316
60	Key	CS AISI 1025
61	Stud bolt	A320 L7M XYLAN 1424
62	Stud	A320 L7M XYLAN 1424
63	Lock nut	A4-70
64	Nut	A320 L7M XYLAN 1424
65	Nut	A320 L7M XYLAN 1424
66	Washer	CS AISI 1020
67	Dog point screw	Type 316
68	Set screw	Type 316
69	Lubricator	A570 Gr.A
70	Washer	SS316
71	Nut nylock	CS AISI1035/ Nylock

Stainless steel F316 version available;  
 Pneumatic or electric actuators available;  
 Screwed end or socket welded end available for  
 1/2" - 1 1/2" ;  
 End flange connection acc. to ANSI B16.5,RF;

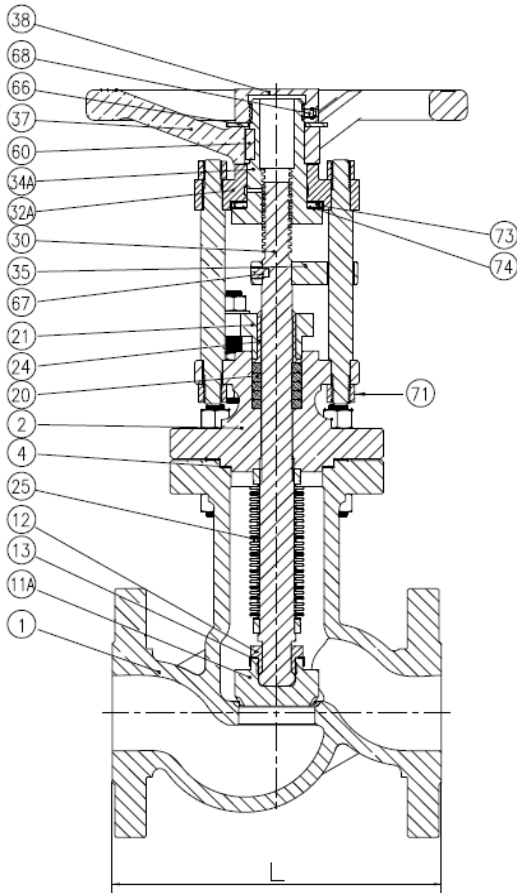
**Face to face dimension L acc. to ANSI B16.10**

Face to face dimension L						
Class 150	1/2"	3/4"	1"	1 1/4"	1 1/2"	2"
	N/A	117	127	N/A	165	203

Face to face dimension L						
Class 300	1/2"	3/4"	1"	1 1/4"	1 1/2"	2"
	152	178	203	N/A	229	267

FIG.	Class	Material	Range
361.149	150lbs	ASTM A352 LCC	2 1/2"-16"
151.149	150lbs	ASTM A351 CF8M	2 1/2"-16"
362.149	300lbs	ASTM A352 LCC	2 1/2"-16"
152.149	300lbs	ASTM A351 CF8M	2 1/2"-16"



**Material List**

No.	Item	Material
1	Body	ASTM A350 LCC+Stellite 21
2	Bonnet	ASTM A350 LF2
4	Body/Bonnet gasket	GYLON 3510
11A	Disc	316Ti(1.4571)+Stellite 6
12	Disc nut	UNS S43100
13	Disc lock washer	Type 316
20	Packing ring	Pure PTFE
21	Packing gland	ASTM A351 CF8M
24	Gland scraper bush	INORGANIC FILLER PTFE
25	Bellows	UNS N10276(2.4819)
30	Stem	UNS S31803
32	Yoke flange	CS AISI 1035
34	Yoke sleeve	A439 Grade D2
35	Anti rotation bridge	CS AISI 1035
36	Pillar	CS AISI 1035
37	Handwheel	SG Iron BS.EN 1563 EN GJS-400-18
38	Handwheel locknut	CS AISI 1035
50	Name plate	Type 316
60	Key	CS AISI 1025
61	Stud bolt	A320 L7M XYLAN 1424
62	Stud	A320 L7M XYLAN 1424
63	Lock nut	A4-70
64	Nut	A320 L7M XYLAN 1424
65	Nut	A320 L7M XYLAN 1424
66	Washer	CS AISI 1020
67	Dog point screw	Type 316
68	Set screw	Type 316
69	Lubricator	A570 Gr.A
70	Washer	SS316
71	Nut nylock	CS AISI 1035 Nylock

Stainless steel CF8M version available;  
 Pneumatic or electric actuators available;  
 End flange connection acc. to ANSI B16.5,RF;

**Face to face dimension L acc. to ANSI B16.10**

Class	Face to face dimension L									
	2 1/2"	3"	4"	5"	6"	8"	10"	12"	14"	16"
150lbs	N/A	241	292	N/A	406	495	622	699	787	914

Class	Face to face dimension L									
	2 1/2"	3"	4"	5"	6"	8"	10"	12"	14"	16"
300lbs	N/A	318	356	N/A	445	559	622	711	838	914