

Soft seal
Ball valve
Unilateral spring washer
Seat
Float ball valve

Flange
Class:150 /300 lbs
NPS :1/2" - 8"

Range of application:

In industrial facilities, oil and chemical industry and related manufacturing industries

Temperature range:

Max. working temperture :
 -29°C to +200°C (carbon steel)
 -196°C to +200°C (stainless steel)

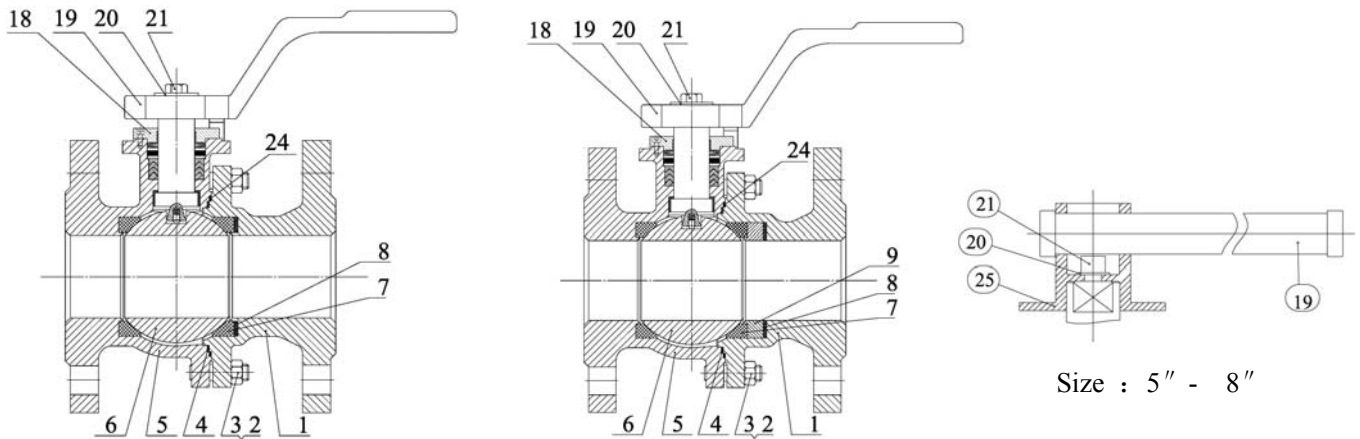
Perform standard:

Design:split body with full bore round port , floating ball.
 API 6D ASME B16.34
 Face to face acc.: ASME B16.10
 Flange : ASME B16.5.
 Design of minimum wall thickness calculation : EN12516-1
 Operating:with a two flat stem acc to the NAMUR
 -recommends.
 90° -rotary switch
 Actuator mounting: mounting flange acc. to ISO5211
 for gear box , air- , electric-or hydraulic pattern actuator .
 Fire test : API 607 & BS 6755 .
 Antistatic device :BS5351
 Pressure test:API 6D or API598
 Antistatic device :BS5351
 Pressure test:API 6D or API598

Material [cording ASTM]

Body: CF8M/CF8/CF3M/CF3/WCB
 Ball: F316/F304
 Body Seal: PTFE / Graphite
 Seat: PTFE/ RPTFE /
 TFM1600/ VX1/
 PEEK

| FIG. | CLASS | Material | RANGE |
|---------|-------|----------|----------|
| 131.785 | 150LB | WCB | 1/2"- 8" |
| 132.785 | 300LB | WCB | 1/2"- 8" |
| 151.785 | 150LB | CF8M | 1/2"- 8" |
| 152.785 | 300LB | CF8M | 1/2"- 8" |



Ball valve with full bore and Flange .
Unilateral spring washer 1/2" – 1 1/4"

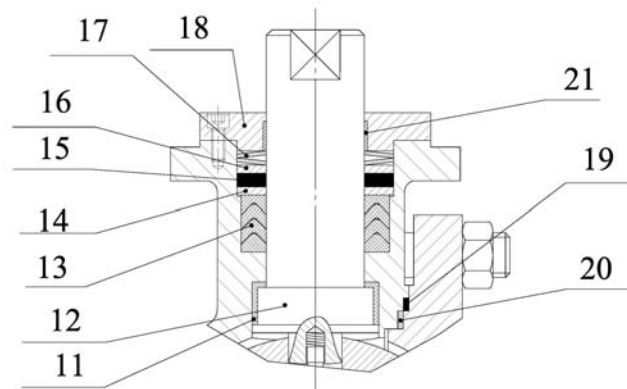
Ball valve with full bore and Flange .
Unilateral spring washer 1 1/2" - 8"

Material list

| NO. | Part | Material | |
|-----|---------------|---------------------------------|-------------------------------------|
| | | FIG. 151.785/ 152.785 | FIG. 131.785/ 132.785 |
| 1 | Adapter | CF8M / CF8 / CF3M / CF3 | WCB |
| 2 | Bolts | B8M | B7 |
| 3 | Nuts | 8M | 2H |
| 4 | Body seal | PTFE | PTFE |
| 5 | Body | CF8M / CF8 / CF3M / CF3 | WCB |
| 6 | Ball | F316 | F304 |
| 7 | Seat | PTFE/ RPTFE / TFM1600/ VX1/PEEK | PTFE/ RPTFE / TFM1600/ VX1/PEEK |
| 8 | Spring washer | 17-7PH | 17-7PH |
| 9 | Support ring | 316 | 304 |
| 18 | Gland | 316 | A105 |
| 19 | Lever | CF8 (DN≤4") / 45 (DN≥5") | Gr60-40-18 (DN≤4") / 45 (DN≥5") |
| 20 | Gasket | 304 | 304 |
| 21 | Bolt | B8M | B7 |
| 24 | Body seal | Graphite | Graphite |
| 25 | Switch | CF8 | WCB |

Stopfbuchs-Varianten

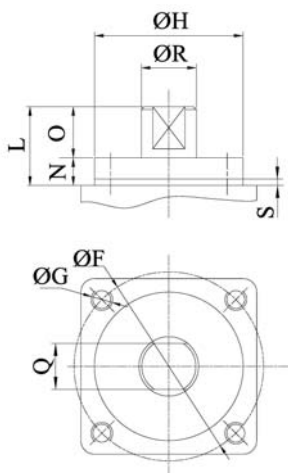
VGS PTFE + GRAPHITE + SPRING
(TA AIR + FIRE SAFE)



Material list

| NO. | Part | Material | |
|-----|-------------------|-----------------------|-----------------------|
| | | FIG. 151.785/ 152.785 | FIG. 131.785/ 132.785 |
| 11 | Thrust bearing | PTFE+25%glass | PTFE+25%glass |
| 12 | Stem | 17-4PH / F316 | 17-4PH / F316 |
| 13 | Packing | PTFE | PTFE |
| 14 | Gasket | 316 | 316 |
| 15 | Packing | Graphite | Graphite |
| 16 | Gasket | 316 | 316 |
| 17 | Belleville spring | 17-7PH | 17-7PH |
| 18 | Gland | 316 | A105 |
| 19 | Body seal | Graphite | Graphite |
| 20 | Body seal | PTFE | PTFE |
| 21 | Bearing | PTFE+30%C | PTFE+30%C |

Dimension List



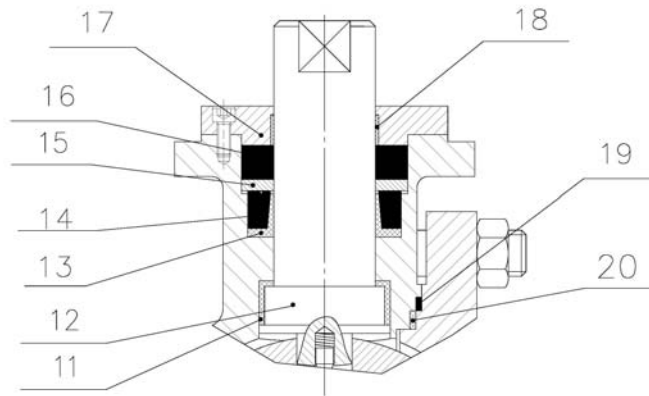
| Size | 1/2 | 3/4 | 1 | 1 1/4 | 1 1/2 | 2 | 2 1/2 | 3 | 4 | 6 | 8 |
|---------|------|------|------|-------|-------|------|-------|------|------|------|------|
| ΦF | 50 | 50 | 50 | 50 | 70 | 70 | 70 | 102 | 102 | 125 | 125 |
| ΦG | M6 | M6 | M6 | M6 | M8 | M8 | M8 | M10 | M10 | M12 | M12 |
| ΦH | 35 | 35 | 35 | 35 | 55 | 55 | 55 | 70 | 70 | 85 | 85 |
| L | 19.5 | 25.6 | 34.5 | 34.5 | 38 | 38 | 44 | 50 | 50 | 61 | 61 |
| O | 10.7 | 12.8 | 20.7 | 20.7 | 23.8 | 23.8 | 30.3 | 32.8 | 32.8 | 39.8 | 39.8 |
| N | 8.8 | 12.8 | 13.8 | 13.8 | 14.2 | 14.2 | 13.7 | 17.2 | 17.2 | 21.2 | 21.2 |
| Q | 11 | 11 | 14 | 14 | 17 | 17 | 17 | 19 | 19 | 27 | 27 |
| ΦR | 14 | 14 | 18 | 18 | 22 | 22 | 22 | 26 | 30 | 40 | 50 |
| S | 2 | 2 | 2 | 2 | 3 | 3 | 3 | 3 | 3 | 3 | 3 |
| ISO5211 | F05 | F05 | F05 | F05 | F07 | F07 | F07 | F10 | F10 | F12 | F14 |

Edit: FengChunyan
 Suzhou Fleu valve Co.Ltd
 No.767 Huagang Road

Checking: WangHuanyu
 Tel : 0086 512 63430669
 Fax : 0086 512 63409789

Approved: ZWS
 Date: 12.Apr.2019
 E-mail : szsales@fleu-valve.com
 http : //www.fleu-valve.com

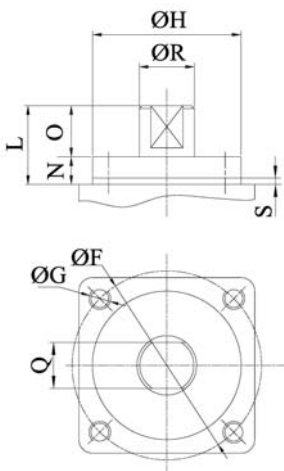
WRG WEDGE RING + GRAPHITE
(TA AIR + FIRE SAFE)



Material list

| NO. | Part | Material | |
|-----|----------------|-----------------------|-----------------------|
| | | FIG. 151.785/ 152.785 | FIG. 131.785/ 132.785 |
| 11 | Thrust bearing | PTFE+25%glass | PTFE+25%glass |
| 12 | Stem | 17-4PH / F316 | 17-4PH / F316 |
| 13 | Packing | PTFE | PTFE |
| 14 | Packing | Graphite | Graphite |
| 15 | Gasket | 316 | 316 |
| 16 | Packing | Graphite | Graphite |
| 17 | Gland | 316 | A105 |
| 18 | Bearing | PTFE+30%C | PTFE+30%C |
| 19 | Body seal | Graphite | Graphite |
| 20 | Body seal | PTFE | PTFE |

Dimension List



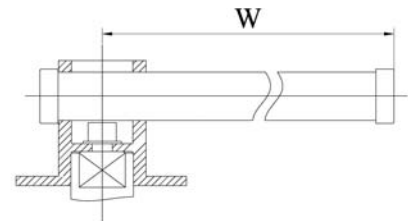
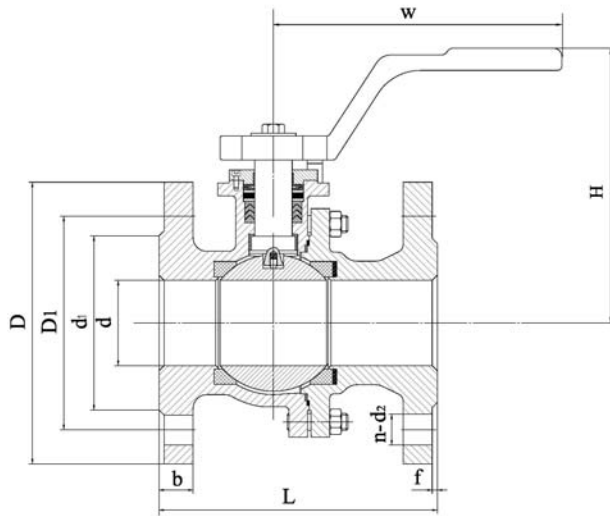
| Size | 1/2 | 3/4 | 1 | 1 1/4 | 1 1/2 | 2 | 2 1/2 | 3 | 4 | 6 | 8 |
|---------|------|------|------|-------|-------|------|-------|------|------|------|------|
| ΦF | 50 | 50 | 50 | 50 | 70 | 70 | 70 | 102 | 102 | 125 | 125 |
| ΦG | M6 | M6 | M6 | M6 | M8 | M8 | M8 | M10 | M10 | M12 | M12 |
| ΦH | 35 | 35 | 35 | 35 | 55 | 55 | 55 | 70 | 70 | 85 | 85 |
| L | 19.5 | 25.6 | 34.5 | 34.5 | 38 | 38 | 44 | 50 | 50 | 61 | 61 |
| O | 10.7 | 12.8 | 20.7 | 20.7 | 23.8 | 23.8 | 30.3 | 32.8 | 32.8 | 39.8 | 39.8 |
| N | 8.8 | 12.8 | 13.8 | 13.8 | 14.2 | 14.2 | 13.7 | 17.2 | 17.2 | 21.2 | 21.2 |
| Q | 11 | 11 | 14 | 14 | 17 | 17 | 17 | 19 | 19 | 27 | 27 |
| ΦR | 14 | 14 | 18 | 18 | 22 | 22 | 22 | 26 | 30 | 40 | 50 |
| S | 2 | 2 | 2 | 2 | 3 | 3 | 3 | 3 | 3 | 3 | 3 |
| ISO5211 | F05 | F05 | F05 | F05 | F05 | F07 | F07 | F07 | F10 | F10 | F14 |

Edit: FengChunyan
Suzhou Fleu valve Co.Ltd
No.767 Huagang Road

Checking: WangHuanyu
Tel : 0086 512 63430669
Fax : 0086 512 63409789

Approved: ZWS
Date: 12.Apr.2019
E-mail : szsales@fleu-valve.com
http : //www.fleu-valve.com

| FIG. | CLASS | Material | RANGE |
|---------|-------|----------|-----------|
| 131.785 | 150LB | WCB | 1/2" - 8" |
| 132.785 | 300LB | WCB | 1/2" - 8" |
| 151.785 | 150LB | CF8M | 1/2" - 8" |
| 152.785 | 300LB | CF8M | 1/2" - 8" |



Size : 5" - 8"

Ball valve with full bore and Flange . Flange end: API 6D ASME B16.5; Face to face: ASME B16.10 .

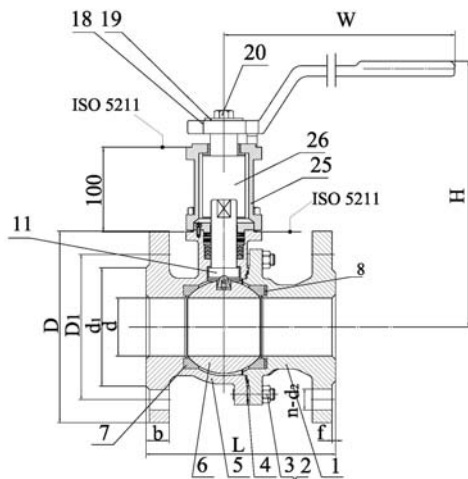
Dimension List

| Class | Size | d | L | H | W | D | b | f | d1 | D1 | n-d2 | Weight |
|-------|-------|-----|-----|-----|-----|------|------|-----|-------|-------|------|--------|
| 150Lb | 1/2 | 15 | 108 | 117 | 200 | 89 | 11.2 | 1.6 | 35 | 60.5 | 4-16 | 2.3 |
| | 3/4 | 20 | 117 | 124 | 200 | 99 | 12.8 | 1.6 | 43 | 70 | 4-16 | 3.0 |
| | 1 | 25 | 127 | 129 | 220 | 108 | 14.3 | 1.6 | 51 | 79.2 | 4-16 | 4.0 |
| | 1 1/4 | 32 | 140 | 145 | 220 | 117 | 15.8 | 1.6 | 64 | 89 | 4-16 | 5.5 |
| | 1 1/2 | 40 | 165 | 155 | 270 | 127 | 17.3 | 1.6 | 73 | 98.6 | 4-16 | 7.0 |
| | 2 | 50 | 178 | 161 | 270 | 152 | 19.1 | 1.6 | 92 | 120.7 | 4-19 | 9.5 |
| | 2 1/2 | 65 | 190 | 173 | 360 | 178 | 22.2 | 1.6 | 105 | 139.7 | 4-19 | 15 |
| | 3 | 77 | 203 | 205 | 360 | 191 | 24 | 1.6 | 127 | 152.4 | 4-19 | 24 |
| | 4 | 100 | 229 | 227 | 360 | 229 | 24 | 1.6 | 157 | 190.5 | 8-19 | 33 |
| | 5 | 125 | 356 | 235 | 500 | 254 | 24 | 1.6 | 186 | 215.9 | 8-22 | 58 |
| 300Lb | 6 | 150 | 394 | 251 | 650 | 279 | 25.5 | 1.6 | 216 | 241.3 | 8-22 | 93 |
| | 8 | 200 | 457 | 346 | 750 | 343 | 28.5 | 1.6 | 270 | 298.5 | 8-22 | 160 |
| | 1/2 | 15 | 140 | 117 | 200 | 95 | 14.3 | 1.6 | 35 | 66.5 | 4-16 | 2.5 |
| | 3/4 | 20 | 152 | 124 | 200 | 117 | 15.8 | 1.6 | 43 | 82.5 | 4-19 | 3.5 |
| | 1 | 25 | 165 | 129 | 220 | 124 | 17.3 | 1.6 | 51 | 89 | 4-19 | 5.5 |
| | 1 1/4 | 32 | 178 | 145 | 220 | 133 | 19.1 | 1.6 | 64 | 98.5 | 4-19 | 7.6 |
| | 1 1/2 | 40 | 190 | 155 | 270 | 155 | 20.7 | 1.6 | 73 | 114.3 | 4-22 | 10.5 |
| | 2 | 50 | 216 | 161 | 270 | 165 | 22.2 | 1.6 | 92 | 127 | 8-19 | 14.5 |
| | 2 1/2 | 65 | 241 | 173 | 360 | 191 | 25.5 | 1.6 | 105 | 149.4 | 8-22 | 23.5 |
| | 3 | 77 | 282 | 205 | 360 | 210 | 28.5 | 1.6 | 127 | 168.1 | 8-22 | 29.5 |
| 4 | 100 | 305 | 227 | 360 | 254 | 31.8 | 1.6 | 157 | 200.2 | 8-22 | 55 | |
| 5 | 125 | 381 | 235 | 500 | 279 | 34.9 | 1.6 | 186 | 235 | 8-22 | 81 | |
| 6 | 150 | 403 | 251 | 650 | 318 | 36.7 | 1.6 | 216 | 269.7 | 12-22 | 118 | |
| 8 | 200 | 502 | 346 | 750 | 381 | 41.2 | 1.6 | 270 | 330.2 | 12-22 | 200 | |

Edit: FengChunyan
 Suzhou Fleu valve Co.Ltd
 No.767 Huagang Road

Checking: WangHuanyu
 Tel : 0086 512 63430669
 Fax : 0086 512 63409789

Approved: ZWS
 Date: 12.Apr.2019
 E-mail : szsales@fleu-valve.com
 http : //www.fleu-valve.com



Long stem ball valve with full bore and Flange .

Design: API 6D ASME B16.34 ;

Face to face: ASME B16.10 .

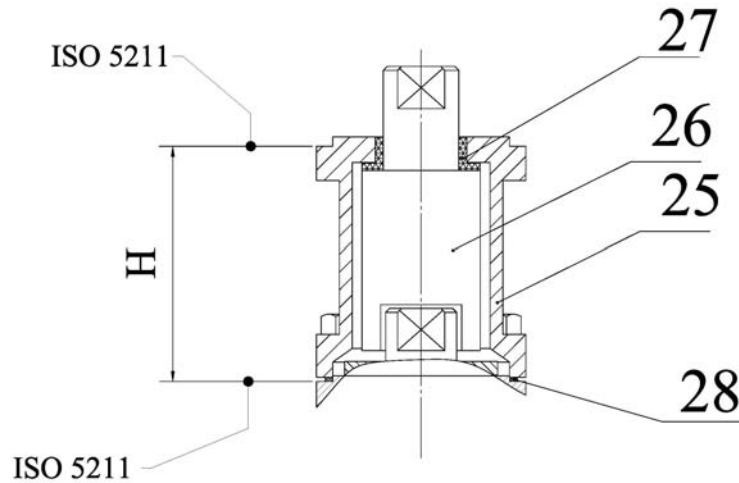
Flange:ASME B16.5

Material list

| NO. | Part | Material | |
|-----|---------------|---------------------------------|---------------------------------|
| | | FIG. 151.785/ 152.785 | FIG. 131.785/ 132.785 |
| 1 | Adapter | CF8M / CF8 / CF3M / CF3 | WCB |
| 2 | Bolts | B8M | B7 |
| 3 | Nuts | 8M | 2H |
| 4 | Body seal | PTFE | PTFE |
| 5 | Body | CF8M / CF8 / CF3M / CF3 | WCB |
| 6 | Ball | F316 | F304 |
| 7 | Seat | PTFE/ RPTFE / TFM1600/ VX1/PEEK | PTFE/ RPTFE / TFM1600/ VX1/PEEK |
| 8 | Spring washer | 17-7PH | 17-7PH |
| 11 | Stem | 17-4PH/F316 | 17-4PH/F316 |
| 18 | Lever | CF8 | Gr.60-40-18 |
| 19 | Gasket | 304 | 304 |
| 20 | Bolts | B8 M | B7 |
| 25 | Case | CF8M / CF8 / CF3M / CF3 | WCB |
| 26 | Long stem | 17-4PH | 17-4PH |

Dimension List

| Class | Size | d | L | H | W | D | b | f | d1 | D1 | n-d2 | Weight |
|-------|-------|-----|-----|-----|-----|------|------|-----|-------|-------|------|--------|
| 150Lb | 1/2 | 15 | 108 | 217 | 200 | 89 | 11.2 | 1.6 | 35 | 60.5 | 4-16 | |
| | 3/4 | 20 | 117 | 224 | 200 | 99 | 12.8 | 1.6 | 43 | 70 | 4-16 | |
| | 1 | 25 | 127 | 229 | 220 | 108 | 14.3 | 1.6 | 51 | 79.2 | 4-16 | |
| | 1 1/4 | 32 | 140 | 245 | 220 | 117 | 15.8 | 1.6 | 64 | 89 | 4-16 | |
| | 1 1/2 | 40 | 165 | 255 | 270 | 127 | 17.3 | 1.6 | 73 | 98.6 | 4-16 | |
| | 2 | 50 | 178 | 261 | 270 | 152 | 19.1 | 1.6 | 92 | 120.7 | 4-19 | |
| | 2 1/2 | 65 | 190 | 273 | 360 | 178 | 22.2 | 1.6 | 105 | 139.7 | 4-19 | |
| | 3 | 77 | 203 | 305 | 360 | 191 | 24 | 1.6 | 127 | 152.4 | 4-19 | |
| | 4 | 100 | 229 | 327 | 360 | 229 | 24 | 1.6 | 157 | 190.5 | 8-19 | |
| | 5 | 125 | 356 | 335 | 500 | 254 | 24 | 1.6 | 186 | 215.9 | 8-22 | |
| 300Lb | 1/2 | 15 | 140 | 217 | 200 | 95 | 14.3 | 1.6 | 35 | 66.5 | 4-16 | |
| | 3/4 | 20 | 152 | 224 | 200 | 117 | 15.8 | 1.6 | 43 | 82.5 | 4-19 | |
| | 1 | 25 | 165 | 129 | 220 | 124 | 17.3 | 1.6 | 51 | 89 | 4-19 | |
| | 1 1/4 | 32 | 178 | 245 | 220 | 133 | 19.1 | 1.6 | 64 | 98.5 | 4-19 | |
| | 1 1/2 | 40 | 190 | 255 | 270 | 155 | 20.7 | 1.6 | 73 | 114.3 | 4-22 | |
| | 2 | 50 | 216 | 261 | 270 | 165 | 22.2 | 1.6 | 92 | 127 | 8-19 | |
| | 2 1/2 | 65 | 241 | 273 | 360 | 191 | 25.5 | 1.6 | 105 | 149.4 | 8-22 | |
| | 3 | 77 | 282 | 305 | 360 | 210 | 28.5 | 1.6 | 127 | 168.1 | 8-22 | |
| | 4 | 100 | 305 | 327 | 360 | 254 | 31.8 | 1.6 | 157 | 200.2 | 8-22 | |
| | 5 | 125 | 381 | 335 | 500 | 279 | 34.9 | 1.6 | 186 | 235 | 8-22 | |
| 6 | 150 | 403 | 351 | 650 | 318 | 36.7 | 1.6 | 216 | 269.7 | 12-22 | | |
| 8 | 200 | 502 | 446 | 750 | 381 | 41.2 | 1.6 | 270 | 330.2 | 12-22 | | |



Long stem V - seal (PTFE) + Graphite

Material list

| NO. | Part | Material | |
|-----|----------------|-------------------------|-----------------------|
| | | FIG. 151.785/ 152.785 | FIG. 131.785/ 132.785 |
| 25 | Case | CF8M / CF8 / CF3M / CF3 | WCB |
| 26 | Long stem | 17-4PH/F316 | 17-4PH/F316 |
| 27 | Thrust bearing | PTFE+25%glass | PTFE+25%glass |
| 28 | Gasket | PTFE | PTFE |

Dimension List

| NPS | Class | H | ISO5211 |
|--------|---------|-----|---------|
| 1/2" | 150/300 | 100 | F05 |
| 3/4" | 150/300 | 100 | F05 |
| 1" | 150/300 | 100 | F05 |
| 1 1/4" | 150/300 | 100 | F05 |
| 1 1/2" | 150/300 | 100 | F07 |
| 2" | 150/300 | 100 | F07 |
| 2 1/2" | 150/300 | 100 | F07 |
| 3" | 150/300 | 100 | F10 |
| 4" | 150/300 | 100 | F10 |
| 5" | 150/300 | 100 | F12 |
| 6" | 150/300 | 100 | F12 |
| 8" | 150 | 100 | F14 |
| | 300 | 100 | F16 |

Edit: FengChunyan
 Suzhou Fleu valve Co.Ltd
 No.767 Huagang Road

Checking: WangHuanyu
 Tel : 0086 512 63430669
 Fax : 0086 512 63409789

Approved: ZWS
 Date: 12.Apr.2019
 E-mail : szsales@fleu-valve.com
 http : //www.fleu-valve.com

Connecting format

| | | |
|-----------------|------------------|--|
| Flanged | | |
| Pressure rating | Flange dimension | Sealing form |
| 150Lb 300Lb | ASME B16.5 | ANSI Ra max : 12.5 µm Rz max : 50 µm |

Installation instructions

Installation site is not prescribed.
Regardless of the flow direction.

Details please consult.

Technical parameters

Flow characteristics - Kv (m³/h)

| Size | 1/2 | 3/4 | 1 | 1 1/4 | 1 1/2 | 2 | 2 1/2 | 3 | 4 | 6 |
|------|-----|-----|----|-------|-------|-----|-------|-----|------|------|
| Kv | 12 | 23 | 60 | 72 | 175 | 360 | 620 | 930 | 1900 | 3500 |

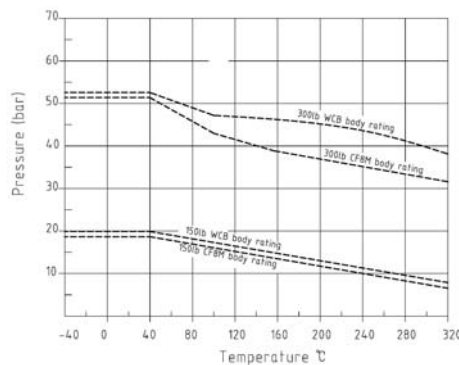
Open torque - Nm

| Class | Size | | | | | | | | | | |
|------------|------|------|----|--------|--------|----|--------|-----|-----|------|------|
| | 1/2" | 3/4" | 1" | 1 1/4" | 1 1/2" | 2" | 2 1/2" | 3" | 4" | 6" | 8" |
| 0 | 3 | 3.5 | 6 | 10 | 15 | 20 | 40 | 60 | 85 | 150 | 300 |
| 150 | 4.5 | 5 | 12 | 25 | 35 | 45 | 80 | 120 | 220 | 500 | 1000 |
| 300 | 7 | 10 | 25 | 50 | 60 | 80 | 150 | 260 | 400 | 1000 | 1850 |

Maximum and minimum

| Size | 1/2" | 3/4" | 1" | 1 1/4" | 1 1/2" | 2" | 2 1/2" | 3" | 4" | 6" | 8" |
|------------------------|------|------|-----|--------|--------|-----|--------|-----|-----|------|------|
| T_{max} | 80 | 80 | 120 | 120 | 280 | 280 | 280 | 700 | 700 | 2000 | 3500 |
| T_{min} | 2 | 2 | 3 | 5 | 8 | 10 | 20 | 30 | 42 | 75 | 150 |

Allowable pressure in dependence of the temperature



----- Body Rating

Details please consult.

Edit: FengChunyan
Suzhou Fleu valve Co.Ltd
No.767 Huagang Road

Checking: WangHuanyu
Tel : 0086 512 63430669
Fax : 0086 512 63409789

Approved: ZWS

Date: 12.Apr.2019

E-mail : szsales@fleu-valve.com

http : //www.fleu-valve.com